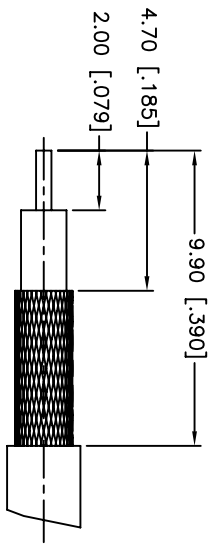
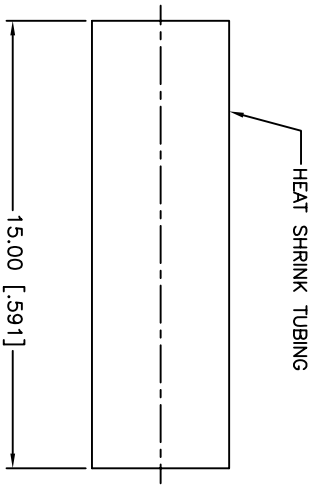
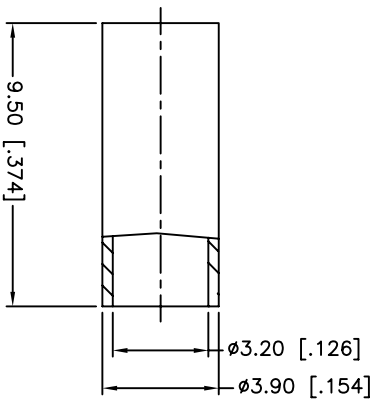
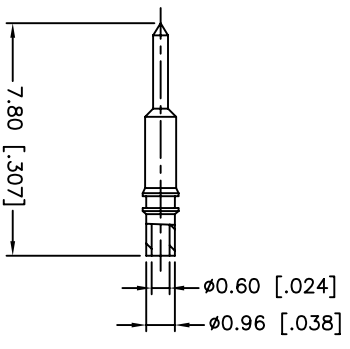
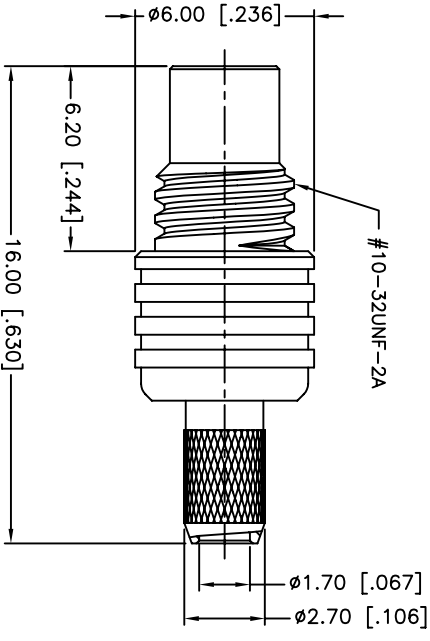
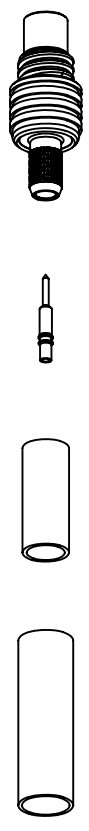


| REV. | DATE     | ECR NO. | DESCRIPTION     |
|------|----------|---------|-----------------|
| NC   | 09/08/11 | XXXXXX  | INITIAL RELEASE |



RECOMMENDED  
CABLE STRIPPING DIM'S



1. IMPEDANCE: 50 OHM
2. FREQUENCY RANGE: DC 0-10 GHz
3. DIELECTRIC WITHSTANDING VOLTAGE: 1000 VRMS, MIN.
4. CRIMPED FERRULE
5. HEX CRIMP SIZE ".128"
5. CRIMPED CONTACT PIN
- SQ. CRIMP SIZE 0.7(mm)

| QTY | FINISH  | MATERIAL | DESCRIPTION        |
|-----|---------|----------|--------------------|
| 1   | GOLD    | BRASS    | BODY               |
| 1   | NATURAL | PTE      | INSULATOR          |
| 1   | GOLD    | BRASS    | BARREL             |
| 1   | GOLD    | BRASS    | CONTACT PIN        |
| 1   | GOLD    | BRASS    | FERRULE            |
| 1   | BLACK   | BLACK    | HEAT SHRINK TUBING |

UNLESS OTHERWISE SPECIFIED, DIMENSIONS ARE IN INCHES AND FOR CUSTOMER REFERENCE ONLY.  
 UNLESS OTHERWISE SPECIFIED, TOLERANCES FOR MILLIMETERS ARE:  
 0.5 - 8mm ± 0.20mm  
 8 - 30mm ± 0.40mm  
 30 - 120mm ± 0.50mm  
 UNLESS OTHERWISE SPECIFIED, TOLERANCES FOR INCHES ARE:  
 .020 - .315 = ± 0.007"  
 .315 - 1.180 = ± 0.015"  
 1.180 - 4.724 = ± 0.020"  
 DO NOT SCALE DRAWING

| APPROVALS    | DATE     |
|--------------|----------|
| M.ZHANG      | 09/08/11 |
| CHECKED      |          |
| ISSUED       |          |
| SHEET 1 OF 1 |          |

**Amphenol Connex**

SMC CRIMP JACK  
 (FOR RG-174/U, 188A/U, 316/U CABLE)

PART NO. 152103

DWG. NO. 152103.DWG

REV. NC SIZE A SCALE NA

# Mouser Electronics

Authorized Distributor

Click to View Pricing, Inventory, Delivery & Lifecycle Information:

[Amphenol:](#)

[152103](#)