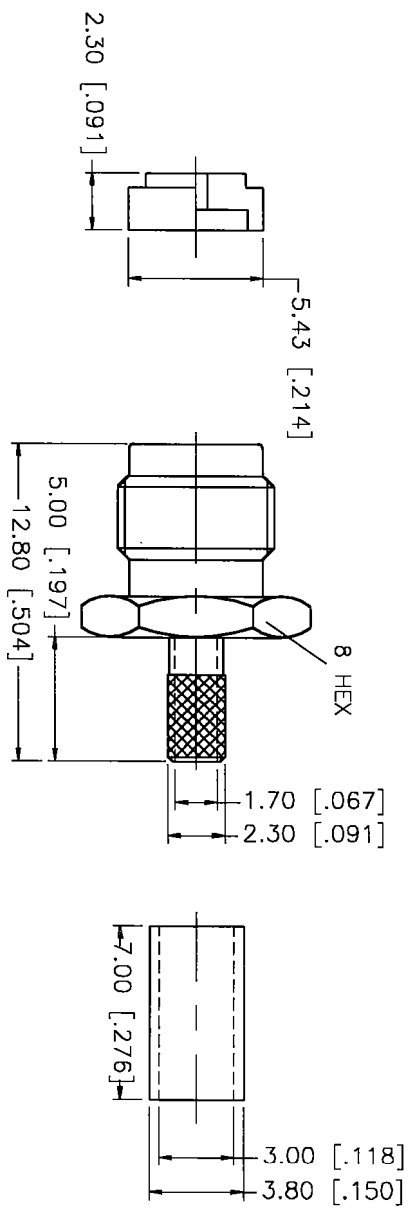
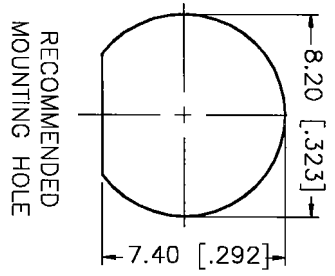
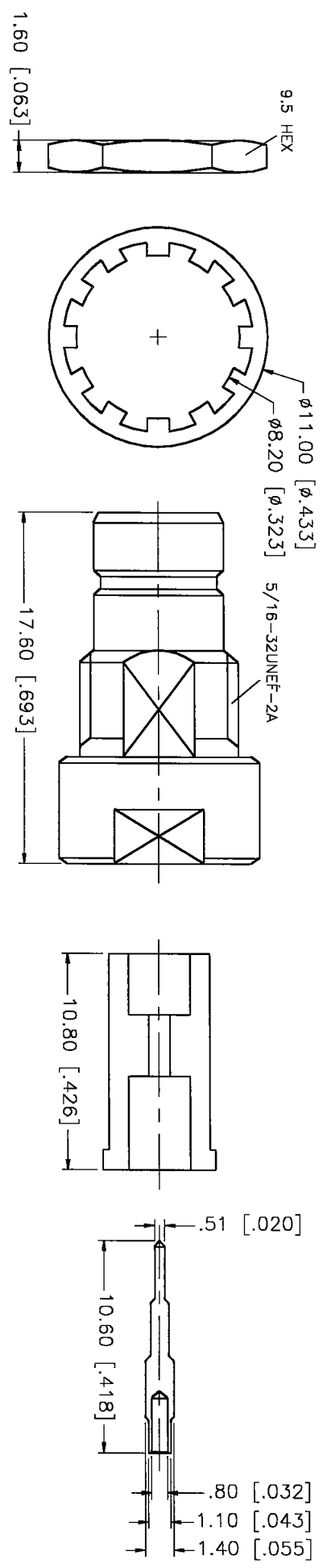
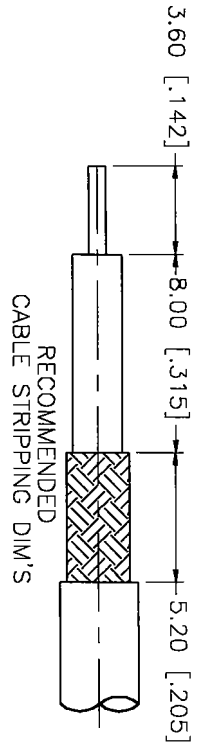


REV.	DATE	DESCRIPTION
A	06/14/00	CHANGE PLATING TO GOLD



DESCRIPTION	MATERIAL	FINISH	UNLESS OTHERWISE SPECIFIED DIMENSIONS ARE IN MILLIMETERS	APPROVALS	DATE	TITLE	
1 BODY	BRASS	GOLD	DIMENSIONS IN [] ARE IN INCHES FOR CUSTOMER REFERENCE ONLY UNLESS OTHERWISE SPECIFIED TOLERANCES FOR MILLIMETERS ARE: 0.5-6 = ± 0.2 6-30 = ± 0.4 30-120 = ± 0.6 120-315 = ± 1 315-1000 = ± 1.6 1000-2000 = ± 2.4	DRAWN	G.R.S.	06/14/00	Connex Connector Corporation SMB BULKHEAD CRIMP JACK (FOR RG-179/U CABLE- 75ohm)
2 INSULATOR	TEFLON	NATURAL		CHECKED			
3 CONTACT PIN	BRASS	GOLD		ISSUED			
4 FERRULE	COPPER	GOLD					
5 LOCK WASHER	BRASS	GOLD					
6 HEX NUT	BRASS	GOLD					
7							
8				DO NOT SCALE DRAWING			
SCALE		NA	PART NO.	142111	SHEET	1 OF 1	
SIZE		FSCM NO.	99001		DWG. NO.	142111.DWG	
REV.		A					