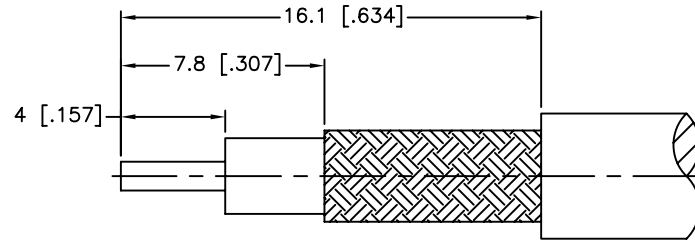
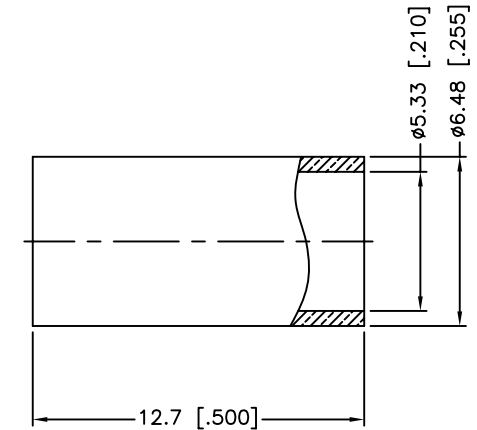
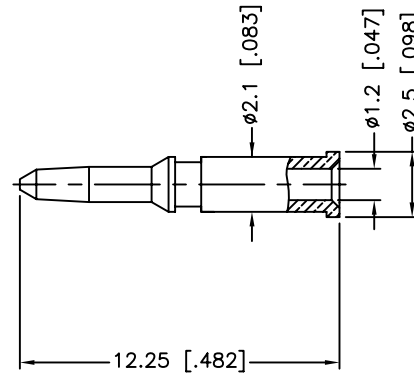
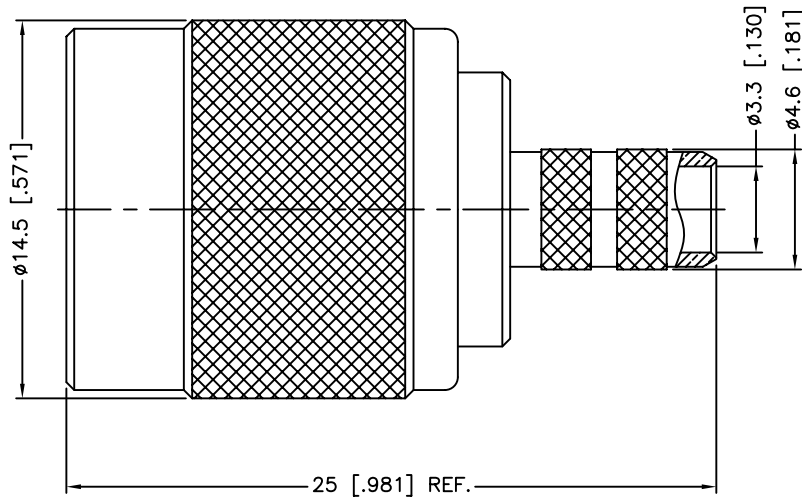


REV.	DATE	ECR NO.	DESCRIPTION
NC	08/04/98	XXXXXX	INITIAL RELEASE
A	03/27/05	100025	UPDATE DRAWING FORMAT
B	01/22/11	2138	CHANGE THE FERRULE O.D. AND I.D.



RECOMMENDED
CABLE STRIPPING DIM'S



NOTE:
1. CRIMPED FERRULE
HEX CRIMP SIZE .213"
2. CRIMPED CONTACT PIN
HEX CRIMP SIZE .068"

9	FERRULE	COPPER	NICKEL	1
8	CONTACT PIN	BRASS	GOLD	1
7	WASHER	BRASS	NICKEL	1
6	RING	DELTRIN	NATURAL	1
5	RETAINER RING	BRASS	NICKEL	1
4	GASKET	RUBBER	RED	1
3	INSULATOR	DELTRIN	NATURAL	1
2	BODY	BRASS	NICKEL	1
1	SHELL	BRASS	NICKEL	1
	DESCRIPTION	MATERIAL	FINISH	QTY

UNLESS OTHERWISE SPECIFIED DIMENSIONS ARE IN MILLIMETERS. DIMENSIONS IN [] ARE IN INCHES AND FOR CUSTOMER REFERENCE ONLY.

UNLESS OTHERWISE SPECIFIED TOLERANCES FOR MILLIMETERS ARE:
0.5 - 8mm ± 0.20mm
8 - 30mm ± 0.40mm
30 - 120mm ± 0.50mm

UNLESS OTHERWISE SPECIFIED TOLERANCES FOR INCHES ARE:
.020 - .315 = ± 0.007"
.315 - 1.180 = ± 0.015"
1.180 - 4.724 = ± 0.020"

DO NOT SCALE DRAWING

APPROVALS		DATE
DRAWN	M.ZHANG	01/22/11
CHECKED		
ISSUED		
SHEET	1 OF 1	
CAD FILE	C:/CONNEX/122410.DWG	

Amphenol Connex			
PART DESCRIPTION			
TNC CRIMP PLUG - LMR200			
PART NO.			
122410			
DWG. NO.	122410.DWG	REV.	B
SIZE	A	SCALE	NA