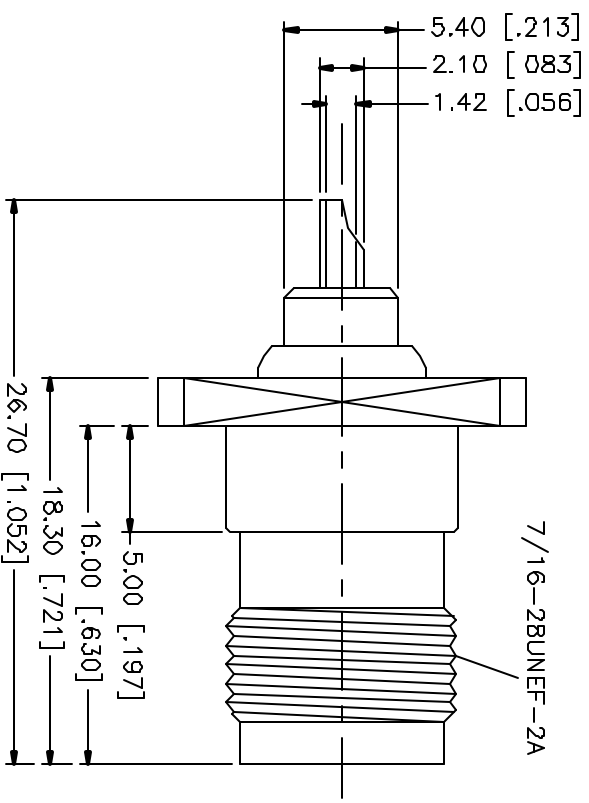
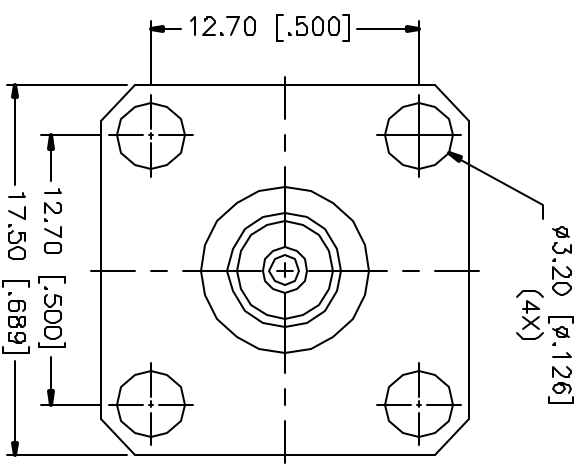
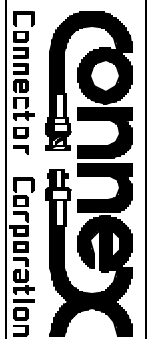


REV.	DATE	DESCRIPTION
NC	10/28/01	INITIAL RELEASE



DESCRIPTION	MATERIAL	FINISH	UNLESS OTHERWISE SPECIFIED DIMENSIONS ARE IN MILLIMETERS FOR CUSTOMER REFERENCE ONLY	APPROVALS	DATE	TITLE	SCALE	SIZE	FORM NO.	DWG. NO.	REV.
1 BODY/HOUSING	BRASS	NICKEL	UNLESS OTHERWISE SPECIFIED DIMENSIONS ARE IN MILLIMETERS FOR CUSTOMER REFERENCE ONLY UNLESS OTHERWISE SPECIFIED TOLERANCES FOR MILLIMETERS ARE: 0.5-6 = ± 0.2 6-30 = ± 0.4 30-120 = ± 0.6 120-315 = ± 1 315-1000 = ± 1.6 1000-2000 = ± 2.4	DRAWN	10/28/01	TNC PANEL JACK	NA	A	99001	122248	122248.DWG
2 INSULATOR	TEFLON	NATURAL		CHECKED							
3 CONTACT PIN	PHOS. BRONZE	GOLD		ISSUED							
4											
5											
6											
7											
8				DO NOT SCALE DRAWING							



TNC PANEL JACK