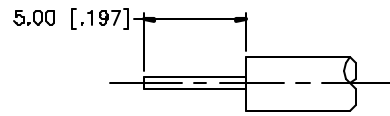
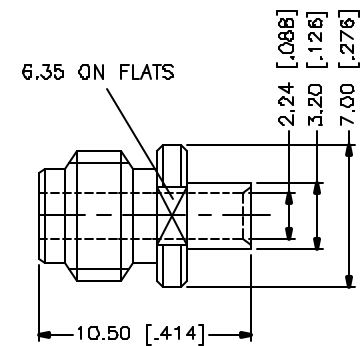
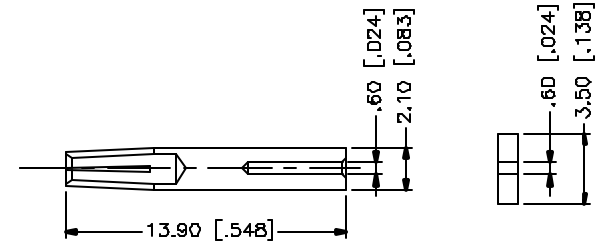
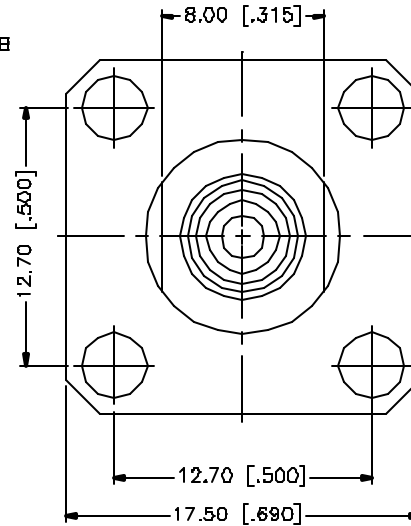
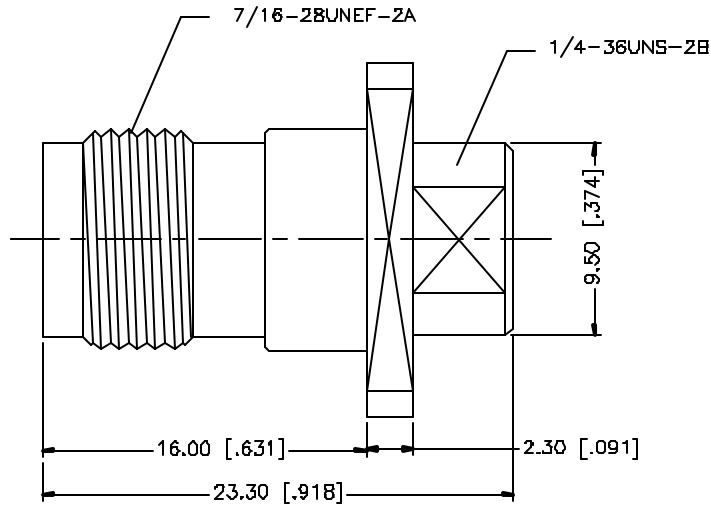


REV.	DATE	DESCRIPTION
NC	03/12/97	INITIAL RELEASE
A	04/22/07	UPDATE DRAWING FORMAT



RECOMMENDED
CABLE STRIPPING DIM'S



QTY	DESCRIPTION	MATERIAL	FINISH	QTY
1	BODY	BRASS	NICKEL	1
2	INSULATOR	TEFLON	NATURAL	1
3	CONTACT PIN	PHOS. BRONZE	GOLD	1
4	INSULATOR	TEFLON	NATURAL	1
6	SOLDER NUT	BRASS	GOLD	1

UNLESS OTHERWISE SPECIFIED DIMENSIONS ARE IN MILLIMETERS. DIMENSIONS IN [] ARE IN INCHES AND FOR CUSTOMER REFERENCE ONLY.

UNLESS OTHERWISE SPECIFIED TOLERANCES FOR MILLIMETERS ARE:
 0.5 - 8mm ± 0.20mm
 8 - 30mm ± 0.40mm
 30 - 120mm ± 0.50mm

UNLESS OTHERWISE SPECIFIED TOLERANCES FOR INCHES ARE:
 .020 - .315 = ± 0.007"
 .315 - 1.180 = ± 0.012"
 1.180 - 4.724 = ± 0.020"

DO NOT SCALE DRAWING

APPROVALS	DATE
DRAWN G.R.S.	04/22/07
CHECKED	
ISSUED	
SHEET 1 OF 1	
CAD FILE	C:/122/122389.DWG

Amphenol Connex

PART DESCRIPTION
**TNC PANEL DIRECT SOLDER JACK
 .085" SEMI-RIGID CABLE**

PART NO. **122389**

DWG. NO.	REV.	SIZE	SCALE
122389.DWG	A	A	NA