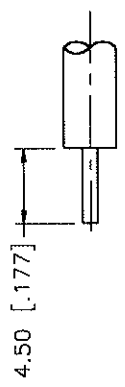
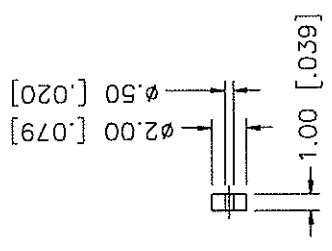
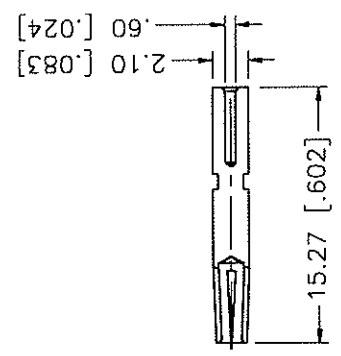
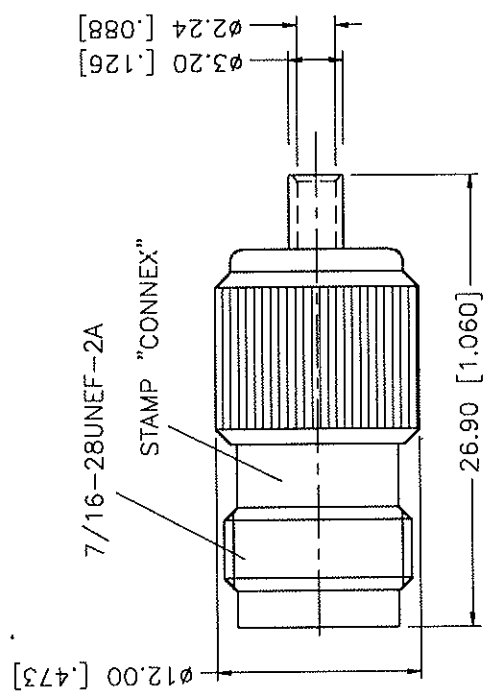


REV.	DATE	DESCRIPTION
A	01/12/00	ADD BARREL TO DESCRIPTION LIST



RECOMMENDED  
CABLE STRIPPING DIM'S



TNC DIRECT SOLDER JACK  
(FOR .085" .086" SEMI RIGID CABLE)

TITLE	TNC DIRECT SOLDER JACK (FOR .085" .086" SEMI RIGID CABLE)	
SIZE	FSCM NO.	DWG. NO.
A	99001	122421.DWG
SCALE	NA	PART NO.
		122421
		SHEET
		1 OF 1

DESCRIPTION	MATERIAL	FINISH	UNLESS OTHERWISE SPECIFIED DIMENSIONS ARE IN MILLIMETERS	APPROVALS	DATE
1 BODY	BRASS	NICKEL	DIMENSIONS IN [ ] ARE IN INCHES FOR CUSTOMER REFERENCE ONLY	G.R.S.	01/12/00
2 INSULATOR	TEFLON	NATURAL	UNLESS OTHERWISE SPECIFIED TOLERANCES FOR MILLIMETERS ARE	DRAWN	
3 CONTACT PIN	PHOS. BRONZE	GOLD	0.5-6 = ± 0.2	CHECKED	
4 BARREL	BRASS	GOLD	6-30 = ± 0.4	ISSUED	
5			30-120 = ± 0.6		
6			120-315 = ± 1		
7			315-1000 = ± 1.6		
8			1000-2000 = ± 2.4		
			DO NOT SCALE DRAWING		