

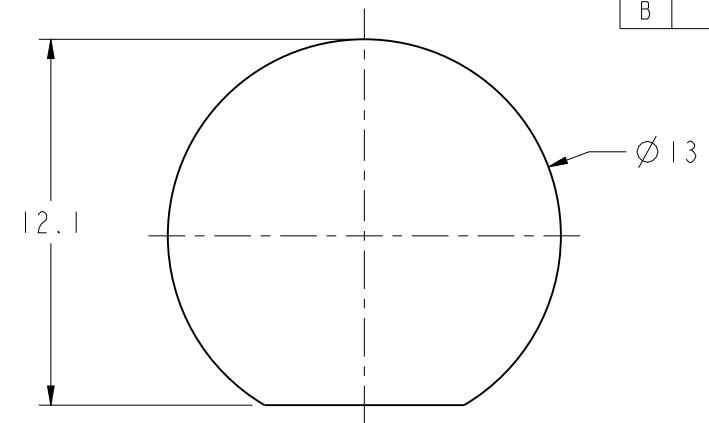
NOTES:

1. MATERIALS AND FINISHES:  
 BODY - BRASS, NICKEL PLATING.  
 CONTACT - PHOSPHOR BRONZE, GOLD PLATING.  
 INSULATOR - DELRIN(500F), NATURAL  
 HEX NUT - BRASS, NICKEL PLATING.  
 LOCKWASHER - BRASS, NICKEL PLATING.  
 GASKET - SILICONE (GRADE 50), COLOR: RED  
 HOUSING - BRASS, NICKEL PLATING.
2. ELECTRICAL:  
 A. IMPEDANCE: 75 OHM  
 B. FREQUENCY RANGE: DC - 2 GHz  
 C. DIELECTRIC WITHSTANDING VOLTAGE: 1500 VRMS. MIN.
3. MECHANICAL:  
 A. DURABILITY: 100 CYCLES MIN.  
 B. TEMPERATURE RANGE: -65°C - +165°C

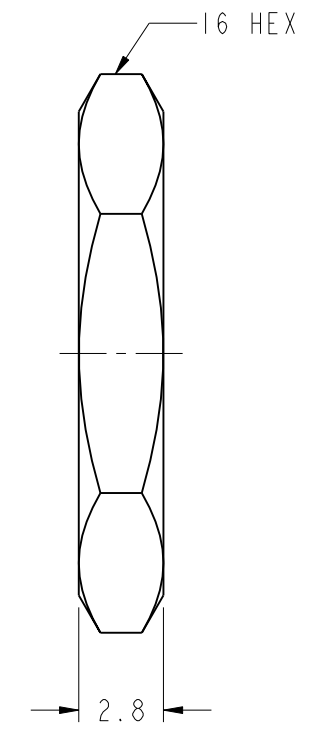
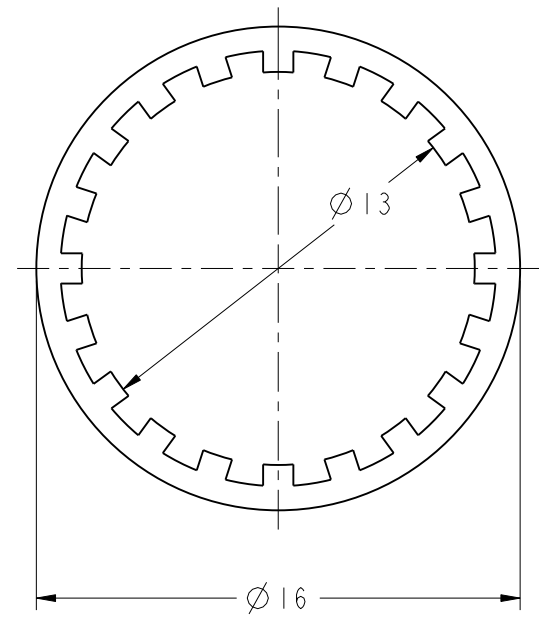
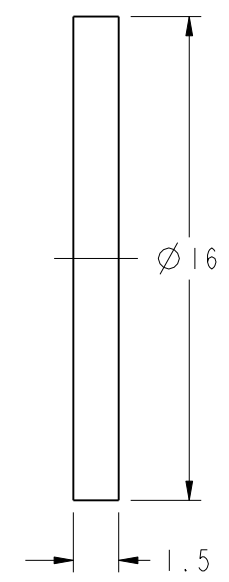
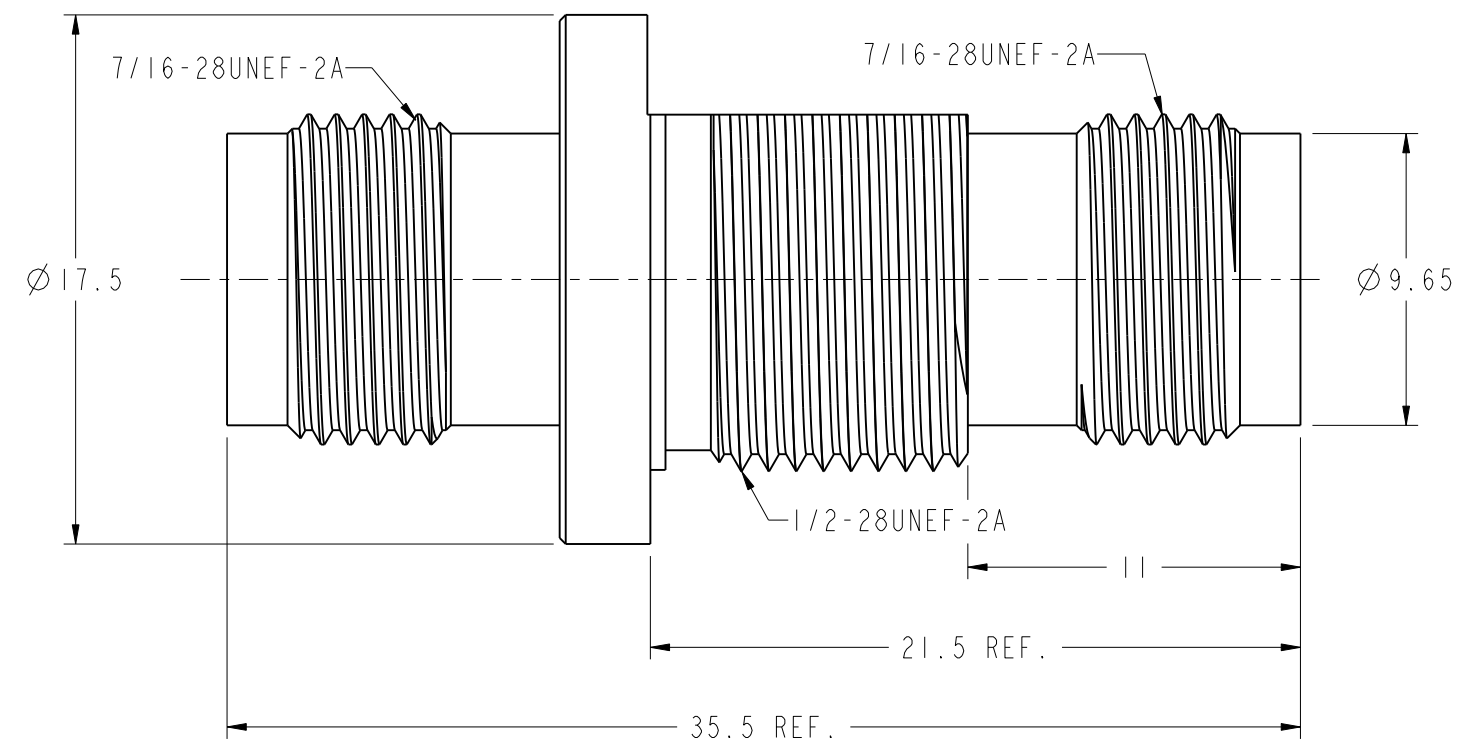
THIRD ANGLE PROJ.

REVISIONS

REV	DESCRIPTION	DATE	ECO	APPR
A	RELEASE TO MFG.	30-Jul-08	--	MC
B	REDRAWN TO UPDATE FORMAT	12/10/08	47352	TRC



RECOMMENDED MOUNTING HOLE



**CUSTOMER OUTLINE DRAWING**  
 ALL OTHER SHEETS ARE FOR INTERNAL USE ONLY

UNLESS OTHERWISE SPECIFIED, DIMENSIONS ARE IN METRIC AND TOLERANCES ARE: 0.5 - 6mm ±0.1mm 6 - 30mm ±0.2mm 30 - 120mm ±0.3mm ANGLES ±1°	MATERIAL	DRAWN BETTY.L	DATE 30-Jul-99	TITLE <b>TNC FEMALE TO FEMALE BULKHEAD ADAPTOR</b>		<b>Amphenol RF</b> Danbury CT USA, Tainan, Taiwan, Shenzhen, China www.amphenolrf.com	
	REFERENCE EAR:3226	ENGINEER MARK.C	DATE 30-Jul-99				
NOTICE - These drawings, specifications, or other data (1) are, and remain the property of Amphenol corp. (2) must be returned upon request; and (3) are confidential and not to be disclosed to any person other than those to whom they are given by Amphenol Corp. the furnishing of these drawings, specifications, or other data by Amphenol Corp., or to any other person to anyone for any purpose is not to be regarded by implication or otherwise in any manner licensing, granting rights to permitting such holder or any other sperson to manufacture, use or sell any product, process or design, patented or otherwise, that may in any way be related to or disclosed by said drawings, specifications, or other data.	CONFIGURATION LEVEL: Prototype	APPROVED MARK.C	DATE 30-Jul-99	SCALE: 4.0:1.0	SHEET 2 OF 2	ITEM NO. 027471AAC00ND7F	
	FINISH	I:TNC/Root Folder/TNC/T7471A2-ND3G-75		DWG SIZE B	CODE ID 74868	REV B	PART NO. 31-6200