

### Gas Discharge Tube Lightning Arrestor N-type to SMA-type connectors



#### Features:

- ✦ Frequency: DC to 6 GHz
- ✦ Ultra Compact Design
- ✦ Excellent RF Performance
- ✦ Multiple Strike Capability
- ✦ 20 kA (8x20 $\mu$ s) Surge Capability
- ✦ Rugged and Waterproof
- ✦ Bi-directional Protection

### RF Specifications

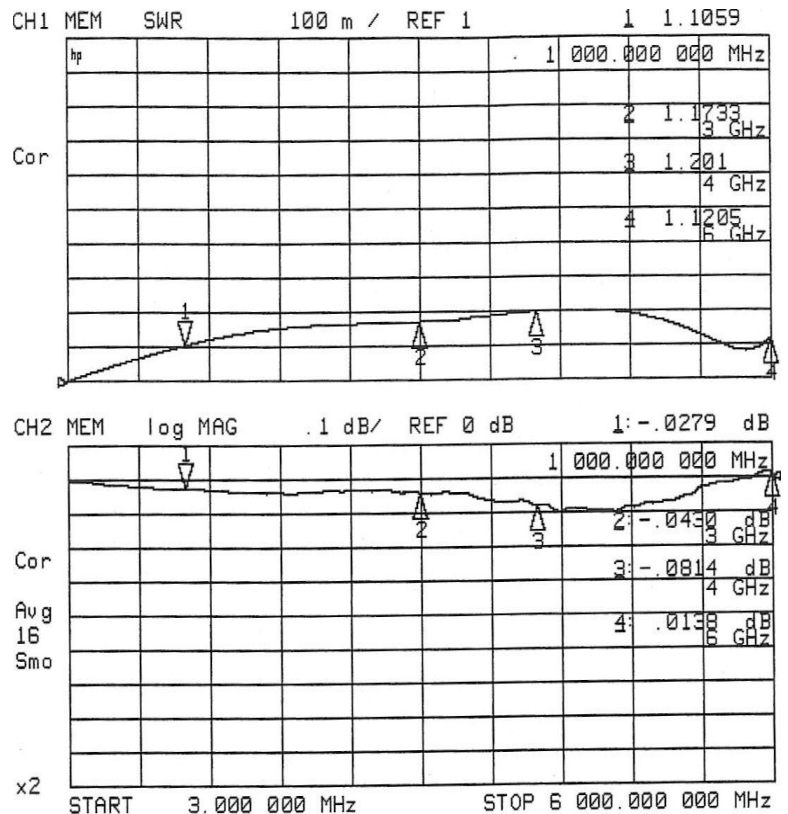
Nominal Impedance – 50  $\Omega$

Frequency (GHz)	VSWR	Insertion Loss (dB)
dc – 6 GHz	1.30 typ 1.45 max	0.25 typ 0.30 max

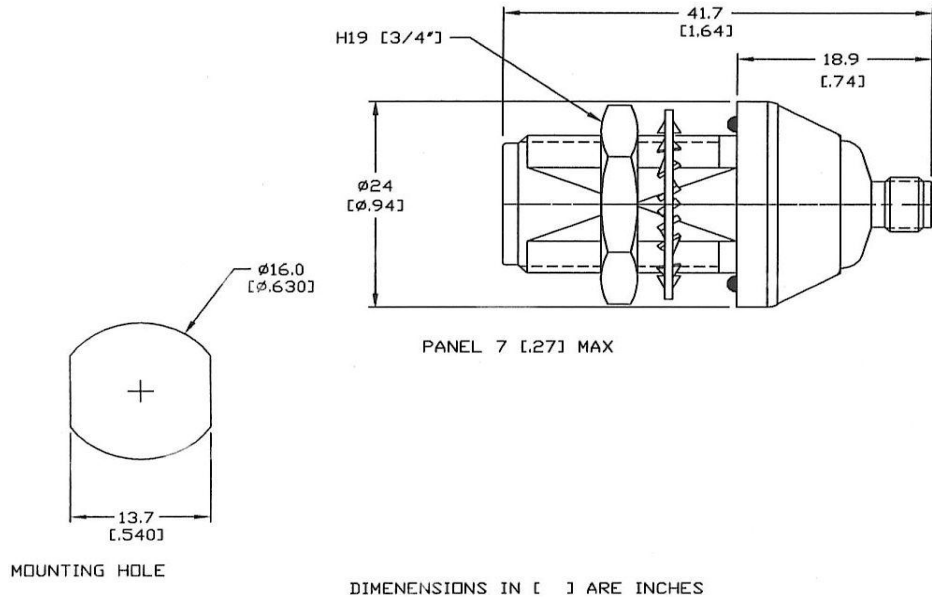
- ✦ Through Current: 5A Max
- ✦ RF Power: 30W (45dBm) max

### Transient Specifications

- ✦ Gas Discharge Tube 90 V rated
- ✦ Maximum Transient: 20 kA (8x20 $\mu$ s)
- ✦ Multiple Strike: 5 kA 10 times
- ✦ Let-through: 644 Vpk/ 500  $\mu$ J  
(Input 4kV 1.2x50 $\mu$ s / 2kA 8x20 $\mu$ s)



### Mechanical Specifications



Weight: 3 ounces (85g) typical

### Environmental Specifications

<b>Temperature Range</b>	-40°C to +90°C
<b>Salt Fog</b>	MIL-STD-202 Method 101D / Condition B (35°C/96 hrs)
<b>Immersion</b>	MIL-STD-202 Method 104A / Condition A (65°C to 25°C w/NaCl – 2 cycles)
<b>Moisture Resistance</b>	MIL-STD-202 Method 106E (65°C/98% RH condensing/240 hrs)
<b>Temperature Shock</b>	MIL-STD-202 Method 107D / Condition B-1 (25 cycles -65°C to +125°C)
<b>Life (Elevated Temperature)</b>	MIL-STD-202 Method 108A / Condition A (96 hours at 100°C)
<b>Dust and Waterproof Rating</b>	IEC529 IP68 (dust-tight and water proof 24 hrs / 1 m)
<b>Vibration</b>	MIL-STD-202 Method 204D / Condition D (10Hz-2kHz 0.06"DA/20g)
<b>Mechanical Shock</b>	MIL-STD-202 Method 213 / Condition A (50g/11ms ~24")

### Material and Finish

Component	Material	Finish
Outer Parts	Brass	Nickel
Center Contact	BeCu	Gold
Insulator	PTFE	
Gasket	Si Rubber	