

High Performance N to N Quarter Wave Stub Lightning Protector 5.2GHz to 18GHz



Features:

- ✦ Ideal for C, X, and Ku Band Applications
- ✦ Low VSWR and Insertion Loss
- ✦ 60kA Surge Protection
- ✦ O-Ring Bulkhead Mount
- ✦ Bi-directional Protection
- ✦ Rugged and Weatherproof

RF Specifications

- ✦ Nominal Impedance 50Ω

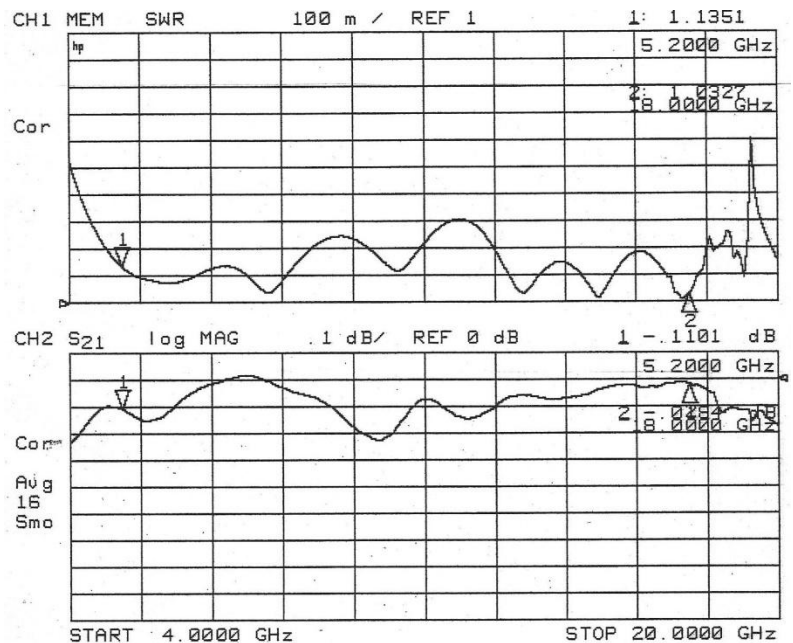
Frequency (GHz)	VSWR typ / max	Loss (dB) typ / max
5.2 – 18.0	1.15 / 1.30	0.10 / 0.25

- ✦ Return Loss (dB typ/min): 23.1/17.7

Frequency (GHz)	5.2	12	18
RF Power (Wcw)	375	200	150

Transient Specifications

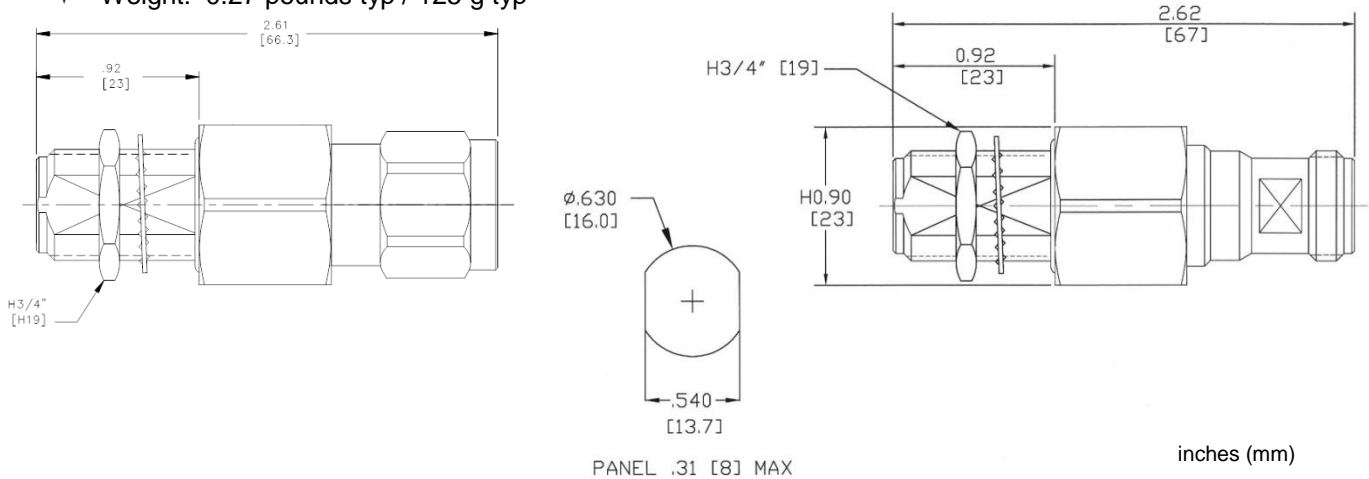
- ✦ Maximum Transient: 60 kA peak
(1.2X50μs Voltage / 8X20μs Current waveform)
- ✦ Let Through (Vpeak/μJ): 1.2Vpeak/250nJ
Input: 6kV/3kA Output: into 50Ω
- ✦ MIL-STD-461 CS115 Let-through: 13.2Vpeak
- ✦ MIL-STD-461 CS116 Let-through: 13.4Vpeak



Typical VSWR and Insertion Loss

Mechanical Specifications

- ✦ Mounting/Grounding: ϕ .625 (15.9) bulkhead mount with environmental gasket. Grounding can also be via a bracket (PN: 750-0088-01) or wire lug to the bulkhead connector.
- ✦ Weight: 0.27 pounds typ / 125 g typ



Material and Finish

Component	Material	Finish
Outer Parts	Brass	Nickel
Center Contact	BeCu	Gold
Insulator	PTFE	-
Gasket	SI Rubber	-

Environmental Specifications

Temperature Range	-40°C to +90°C
Salt Fog	MIL-STD-202 Method 101D / Condition B (35°C/96 hrs)
Immersion	MIL-STD-202 Method 104A / Condition A (65°C to 25°C w/NaCl – 2 cycles)
Moisture Resistance	MIL-STD-202 Method 106E (65°C/98% RH condensing/240 hrs)
Temperature Shock	MIL-STD-202 Method 107D / Condition B-1 (25 cycles -65°C to +125°C)
Life (Elevated Temperature)	MIL-STD-202 Method 108A / Condition A (96 hours at 100°C)
Dust and Waterproof Rating	IEC529 IP68 (dust-tight and water proof 24 hrs / 1 m)
Vibration	MIL-STD-202 Method 204D / Condition D (10Hz-2kHz 0.06"DA/20g)
Mechanical Shock	MIL-STD-202 Method 213 / Condition A (50g/11ms ~24")

Part Number

QWS NF Nx 05 00

