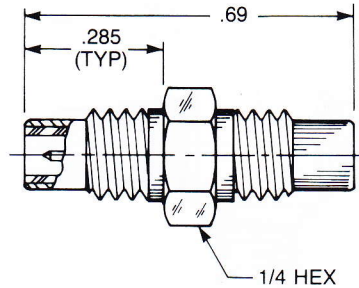


**Straight Male  
Jack To Jack Adapter**

- Connects two plugs

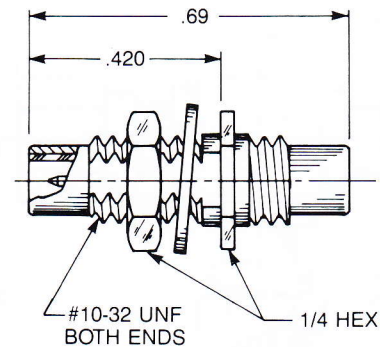
5813-1501-000 (Gold plated)  
5813-7501-000 (Nickel plated)



**Bulkhead Mounted  
Straight Male  
Jack To Jack Adapter**

- Connects two plugs
- For .093" max. panel

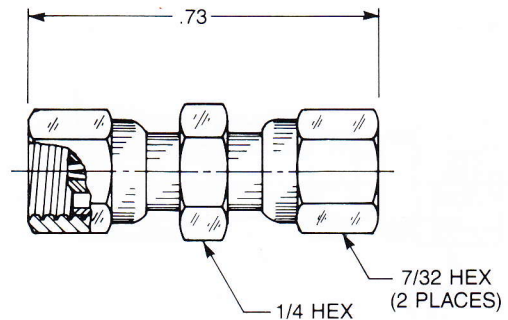
5822-1501-000 (Gold plated)  
5822-7501-000 (Nickel plated)



**Straight Female  
Plug To Plug Adapter**

- Connects two jacks

5816-1501-000 (Gold plated)  
5816-7501-000 (Nickel plated)



**Tee Adapter  
(Unmatched Power Divider)  
Jack To Plug To Jack**

- Connects two plugs and one jack

5815-1501-000 (Gold plated)  
5815-7501-000 (Nickel plated)

