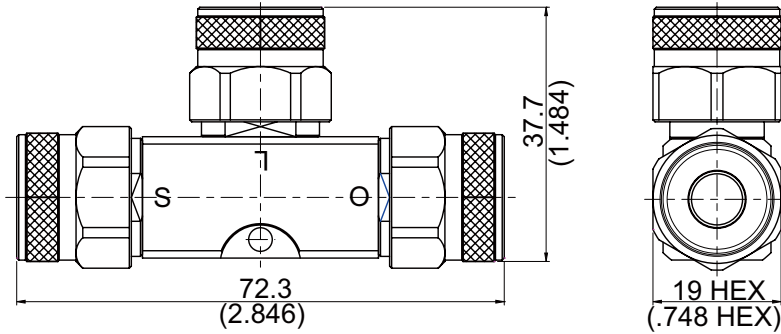


CAL-N-M-4G

**N Plug T-Port Field  
Calibration Tool Up To 4GHz 50Ω**



	Frequency range(GHz)	Return loss (dB)
Load	DC to 2.5GHz	≥ 42dB
	2.5 to 4GHz	≥ 38dB
Open	DC to 4GHz	≤ 0.1dB
Short	DC to 4GHz	≤ 0.1dB

**NOTE: No calibration data are provided with this product.**

Parts	Material	Plating (Micro-inch)
Protective Cap	PVC	
Retainer Ring	Brass	Tin-Zinc-Copper-Alloy 100 Over Copper 50
Gasket	Silicon	
Contact Pin	Brass	Gold 4 Over Nickel Phosphorous Alloy 80 Over Copper 20
Body	Brass	Tin-Zinc-Copper-Alloy 100 Over Copper 50
Nut	Brass	Tin-Zinc-Copper-Alloy 100 Over Copper 50
Insulator	Teflon	
Body	Aluminium	
Coupling Nut	Brass	Tin-Zinc-Copper-Alloy 100 Over Copper 50

Weight:

**This part number complies with RoHS.**

**Notice: JYEBAO reserves the right to make modifications deemed appropriate.**