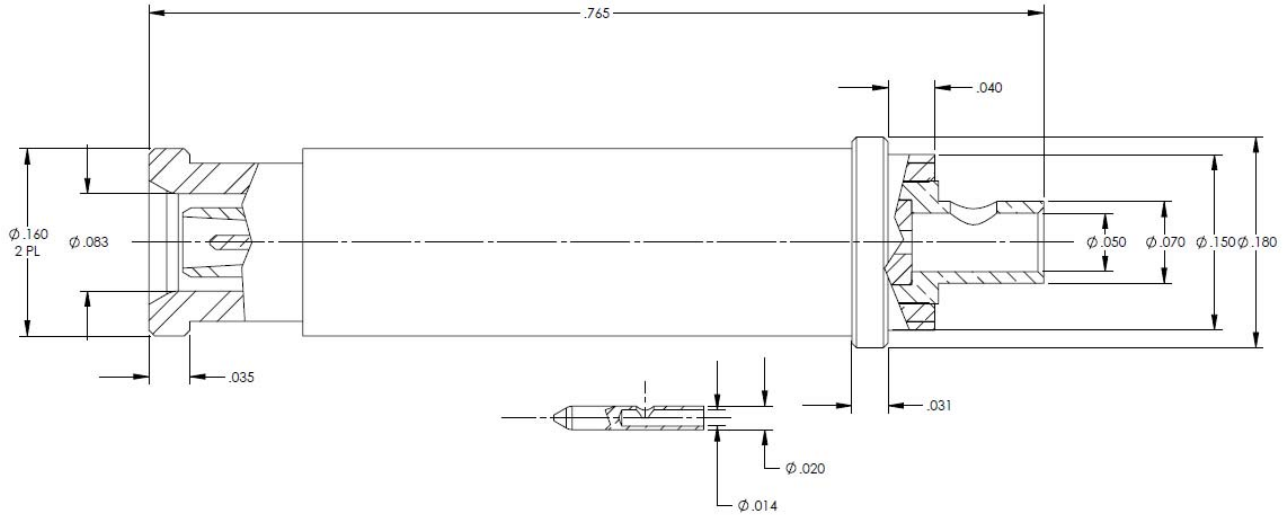


NOTICE OF PROPRIETARY RIGHTS THIS DOCUMENT CONTAINS CONFIDENTIAL TECHNICAL DATA, INCLUDING TRADE SECRETS, PROPRIETARY TO TIMES MICROWAVE SYSTEMS. DISCLOSURE OF THIS DATA IS EXPRESSLY CONDITIONED UPON YOUR ASSENT THAT ITS USE IS LIMITED TO USE WITHIN YOUR COMPANY ONLY. ANY OTHER USE IS STRICTLY PROHIBITED WITHOUT THE PRIOR WRITTEN CONSENT OF TIMES MICROWAVE SYSTEMS.

SYM	REVISION DESCRIPTION	DFTM	DATE	APPD	DATE
A	RELEASED FOR PRODUCTION	N. N. N	11/19/15	J. D. B.	11/19/15



MATERIALS & FINISH

FRONT HOUSING
AND OUTER SHELL: CRES 303, PASSIVATE

INSULATORS
AND WASHER: PTFE (TEFLON)

CONTACT, REAR HOUSING,
AND CABLE ADAPTER: BERYLLIUM COPPER, GOLD PLATE
50-75 MICROINCHES THK. OVER NICKEL PLATE
50-100 MICROINCHES THK.

SPRING : 300 SERIES CRES

MATL:	UNLESS OTHERWISE SPECIFIED		DFTM. N. N. N	TIMES MICROWAVE SYSTEMS	
	ALL DIMENSIONS ARE IN INCHES MACHINED SURFACES FINISH 32 RMS MAX. REMOVE ALL BURRS .005 MAX. BREAK MACHINE CORNERS .005 MAX. FILLET R. TOLERANCES ON DECIMALS . XX ± .01 . XXX ± .005 ANGLES ± 1° FRACTIONS ± 1/32		DATE 11/19/15		
USED ON: B			CHKD. J. D. B.	CONNECTOR ASSEMBLY #12 MMLC SOCKET FOR .047 SEMI RIGID	
			DATE 11/19/15		
SCALE: NONE	DWG. SIZE A	DO NOT SCALE DRAWING	APPD. J. D. B.	1 of 1 SD34141 REV A	
			DATE 11/19/15		