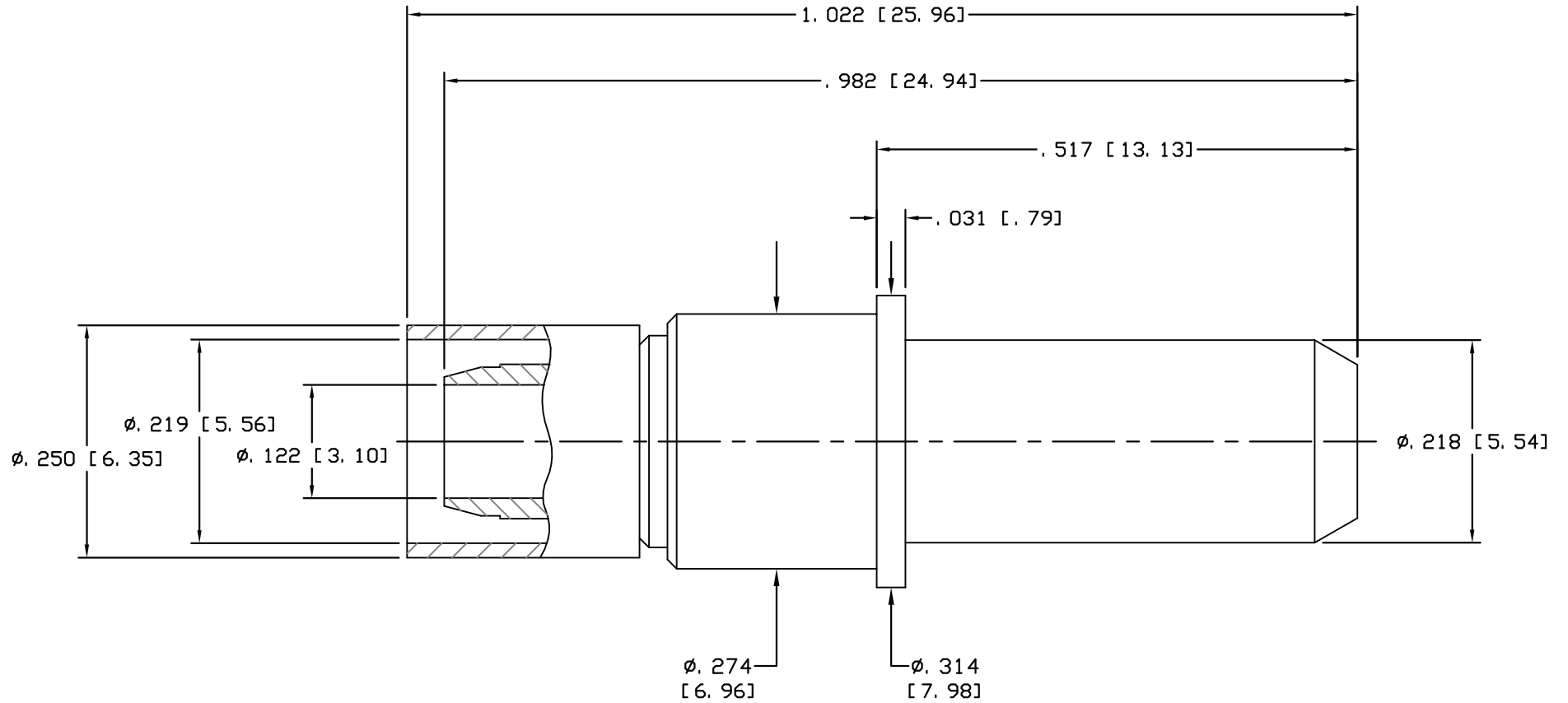


CAD DRAWING - NO MANUAL REVISIONS



**NOTES:**

1. DESIGN AND INTERFACE PER I. D. S. -78.
2. DESIGN TO FIT MIL-C-38999, SERIES I, III & IV HOUSINGS.
3. FERULLE IS SHIPPED LOOSE.
4. ACCOMMODATES SFT-142B OR SIMILAR CABLES.
5. CRIMP USING .213 HEX DIE (M22520/5-02).

**PALCO CONNECTOR**

22 GREAT HILL RD., NAUGATUCK, CT 06770

UNLESS OTHERWISE SPECIFIED, PALCO WORKMANSHIP STANDARDS APPLY  
 TOLERANCES ON: DECIMALS: XX ± .01 .XXX ± .005 ANGLES ±1/2° 3<sub>2</sub>  
 DIMENSIONS IN INCHES OR (METRIC) DO NOT SCALE PRINTS

DRAWN  
MS

CHECKED  
JEM

ENGINEER  
MS

APPROVED  
JEM

FSCM  
58167



DESCRIPTION  
PKZ PLUG  
CRIMP TYPE

DATE  
09/23/10

DRAWING NO.  
78-0080-2203

PLATING OPT.  
A, B, C, D

REV.	DESCRIPTION	DATE	APPR.
B	PER ECN 11642	04/17/13	JEM
A	PER ECN 10901	03/22/11	JEM