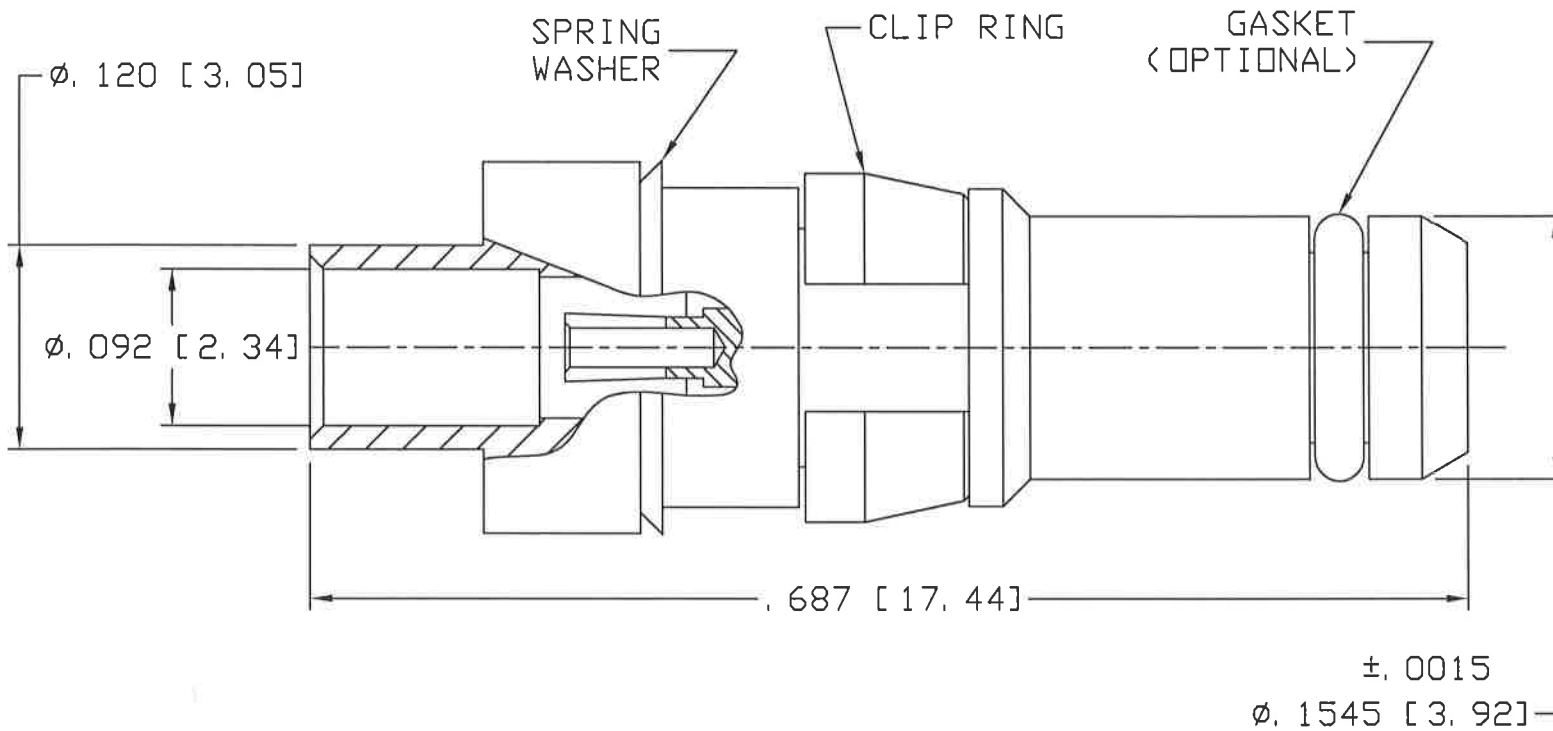


CAD DRAWING - NO MANUAL REVISIONS



| | |
|--------------|----------------|
| 26-0020-0860 | WITHOUT GASKET |
| 26-0021-0860 | WITH GASKET |

NOTES:

- DESIGN AND INTERFACE PER I. D. S. -26.
- ACCOMMODATES RG-405 (M17/133) OR EQUIVALENT CABLE.

| | | | | | | | | | |
|------|---------------|----------|-------|---|----------------------------------|------------------|-----------------------------|----------------------------|---------------|
| K | PER ECN 10538 | 08/18/10 | JEM | PALCO CONNECTOR 22 GREAT HILL RD., NAUGATUCK, CT 06770 UNLESS OTHERWISE SPECIFIED, PALCO WORKMANSHIP STANDARDS APPLY TOLERANCES ON: DECIMALS: XX ±.01 .XXX ±.005 ANGLES ±1/2° 32' DIMENSIONS IN INCHES OR (METRIC) DO NOT SCALE PRINTS CATALOG ITEM | DRAWN EK | CHECKED JEM | ENGINEER HN | APPROVED JEM | FSCM 58167 |
| H | PER ECN 10442 | 06/30/10 | JEM | | DESCRIPTION PKZ, PLUG, SOLDER | | | | |
| G | PER ECN 10224 | 03/09/10 | JEM | | | DATE 03/19/96 | DRAWING NO. 26-002X-0860 | PLATING OPT. A, B, C, D | |
| F | PER ECN 9912 | 05/06/09 | JEM | | | | | | |
| E | PER ECN 9633 | 11/18/08 | JEM | | | | | | |
| REV. | DESCRIPTION | DATE | APPR. | | | | | | |