

5

4

3

2

1

SPECIFICATIONS

ELECTRICAL:

FREQUENCY RANGE _____ 10 MHz - 40 GHz
 IMPEDANCE _____ 50 OHMS
 INSERTION LOSS _____ 0.75 dB MAX.
 VSWR _____ 1.45:1 MAX.
 VOLTAGE RATING _____ 200 VOLTS MAX. (INNER ONLY)
 OPERATING TEMP _____ -65°C TO 125°C

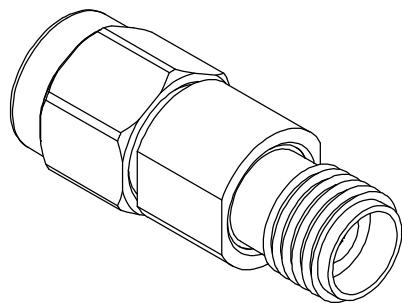
MECHANICAL

CONNECTOR BODY AND COUPLING NUT _____ STAINLESS STEEL IAW A582, TYPE 303, PASSIVATED PER QQ-P-35
 CONTACTS _____ GOLD PLATED BERYLLIUM COPPER
 DIELECTRIC _____ HIGH TEMPERATURE PLASTIC BEAD

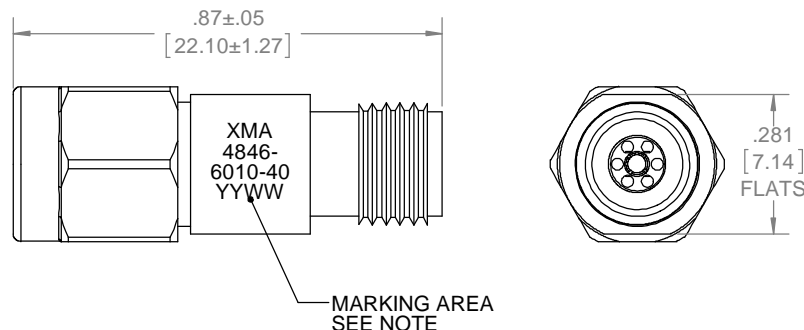
CONNECTOR INTERFACES, FINISHES AND MATERIALS COMPLY WITH BOTH MIL-PRF-39012 AND MIL-STD-348 FOR 2.92 mm (SMK) CONNECTORS AND INTERFACES AND MATE WITH SMA AND 3.5 mm CONNECTORS.

MARKING

PART LOOKS LIKE PRODUCT IMAGE ABOVE.
 PART MARKING ORIENTATION AND FORMAT AS SHOWN.
 MARKING TO BE AS LARGE AS POSSIBLE, CLEAR, AND READABLE.
 YYWW EQUALS DATE CODE.



REVISIONS				
REV	DESCRIPTION	ECO #	DATE	APPROVED
A	ADDED MARKING	14-273	8/27/14	T.KUHN
B	UPDATE SPECS FORMAT	15-053	3/4/15	T.KUHN



QTY.	PART NUMBER	DESCRIPTION	ITEM NO.
X	4846-6010-40	DC BLOCK, 2.9mm-m/f, 10MHz - 40GHz	
1	TA-4846-6010-40U	ASSY, DC BLOCK, 2.9mm-m/f, 10MHz - 40GHz, UNMARKED	1

DRAWING PRACTICES PER ANSI-Y-14.5 MIL-STD-100 & 1000	
DIMENSIONS ARE IN INCHES AND APPLY BEFORE / AFTER PROCESSING	
SURFACE ROUGHNESS μ INCHES	63
FINISH:	
MATERIAL:	
NOTE: THIS DRAWING INCORPORATES THIRD ANGLE PROJECTION.	
INTERPRET IAW ANSI Y14.5-1982	

UNLESS OTHERWISE SPECIFIED TOLERANCES IN:	
DECIMALS	INCH (MM)
.X"	.05" [1.27]
.XX"	.03" [.76]
.XXX"	.010" [.25]
ANGLES $\pm 0^{\circ}30'$	
REMOVE ALL BURRS/SHARP W/ BREAK / R OF .003" TO .0005" UNLESS OTHERWISE NOTED DIAS CONCENTRIC <.003 T.I.R.	
DO NOT SCALE PRINT	

DRAWN	DATE
MCCORMICK	7/23/14
CHECKED	DATE
MCCORMICK	7/23/14
ENG. APPR.	DATE
T.KUHN	7/23/14

XMA Omni Spectra

Phone: 603-222-2256 Fax: 603-222-2259
150 Dow Street, Manchester, NH 03101

TITLE
DC BLOCK, 2.9mm-m/f, 10MHz - 40GHz

SIZE	CAGE CODE	DRAWING NUMBER	REV
B	3HT76	4846-6010-40	B
SCALE	PLATED AREA SQ. IN	SHEET 1 OF 1	

5

4

3

2

1