

SPECIFICATIONS

ELECTRICAL

FREQUENCY RANGE _____ 10 MHz - 18 GHz
 IMPEDANCE _____ 50 OHMS
 INSERTION LOSS _____ 0.75 dB
 VSWR _____ 1.35:1 MAX.
 VOLTAGE RATING _____ 200 VOLTS MAX (INNER ONLY)
 OPERATING TEMP _____ -65°C TO 125°C

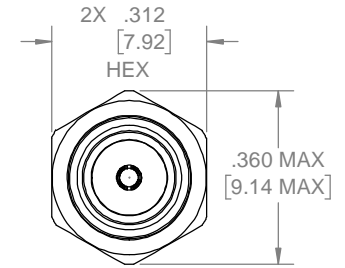
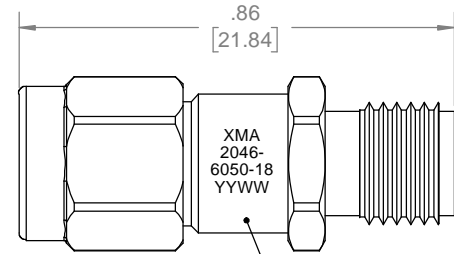
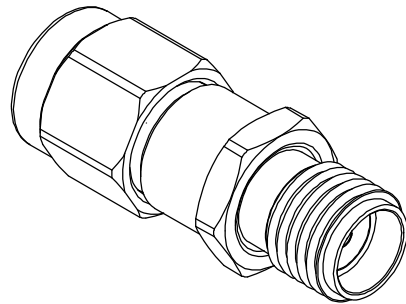
MECHANICAL

BODY AND COUPLING NUT _____ STAINLESS STEEL PER ASTM-A-582,
 TYPE 303, PASSIVATED PER QQ-P-35
 CONTACT _____ BERYLLIUM COPPER ALLOY UNS-C17300
 OR C17300 IAW B196/B197.
 GOLD PLATE PER MIL-PRF-39012 (ASTM-B488)
 CONNECTOR INTERFACES, FINISHES AND MATERIALS COMPLY WITH BOTH
 MIL-PRF-39012 AND MIL-STD-348.

RoHS COMPLIANT DEVICE

MARKING

PART LOOKS LIKE PRODUCT IMAGE ABOVE.
 PART MARKING ORIENTATION AND FORMAT AS SHOWN.
 MARKING TO BE AS LARGE AS POSSIBLE, CLEAR, AND READABLE.
 YYWW EQUALS DATE CODE



REVISIONS				
REV	DESCRIPTION	ECO #	DATE	APPROVED
-1	REDRAWN ON NEW TITLEBLOCK		2/17/09	DS
A	ADDED MARKING	15-251	8/24/15	T.KUHN
B	INSERTION LOSS WAS .5dB	17-119	7/27/17	T.KUHN
C	CHANGED DESCRIPTION IN BOM	17-130	9/5/17	T.KUHN

QTY.	PART NUMBER	DESCRIPTION	ITEM NO.
X	2046-6050-18	DC BLOCK, SMA-m/f, 10MHz - 18GHz, 2W	
1	TA-2046-6050-18U	ASSY, DC BLOCK, SMA-m/f, 10MHz - 18GHz, 2W	1

DRAWING PRACTICES PER ANSI-Y-14.5 MIL-STD-100 & 1000	
DIMENSIONS ARE IN INCHES AND APPLY BEFORE / AFTER PROCESSING	
SURFACE ROUGHNESS	63
FINISH:	
SEE NOTES	
MATERIAL:	
SEE NOTES	
NOTE: THIS DRAWING INCORPORATES THIRD ANGLE PROJECTION.	
INTERPRET IAW ANSI Y14.5-1982	

UNLESS OTHERWISE SPECIFIED TOLERANCES IN:	
DECIMALS	INCH [MM]
.X"	.05" [1.27]
.XX"	.03" [.76]
.XXX"	.010" [.25]
ANGLES ±0°30'	
REMOVE ALL BURRS/SHARP W/ BREAK / R OF .003" TO .0005" UNLESS OTHERWISE NOTED DIAS CONCENTRIC <.003 T.I.R.	
DO NOT SCALE PRINT	

DRAWN SAUNDERS	DATE 2/17/09
CHECKED	DATE 2/17/09
ENG. APPR.	DATE
THESE DRAWINGS AND SPECIFICATIONS ARE THE PROPERTY OF XMA CORP. OR OMNI SPECTRA AND SHALL NOT BE REPRODUCED, COPIED NOR USED - IN WHOLE OR IN PART - AS A BASIS FOR THE MANUFACTURE OR SALE OF OTHER ITEMS WITHOUT THE EXPRESS WRITTEN PERMISSION OF XMA CORP.	

Phone: 603-222-2256 Fax: 603-222-2259
 150 Dow Street, Manchester, NH 03101

TITLE DC BLOCK, SMA-m/f, 10MHz - 18GHz, 2W			
SIZE B	CAGE CODE 3HT76	DRAWING NUMBER 2046-6050-18	REV C
SCALE	PLATED AREA SQ. IN	SHEET 1 OF 1	