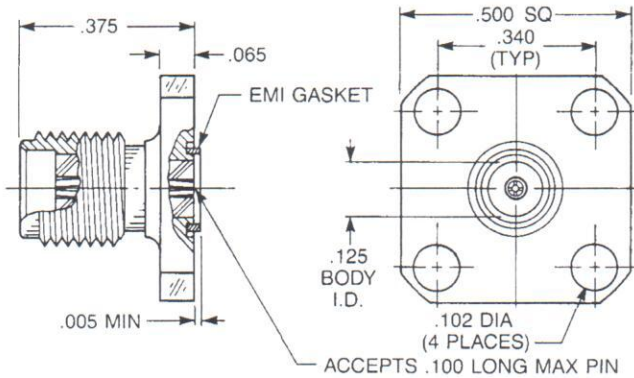


# SMA Hermetic Seal Launchers

For hermetic seals with .018" diameter pins

## Straight Jacks



### 1/2" Square Flange

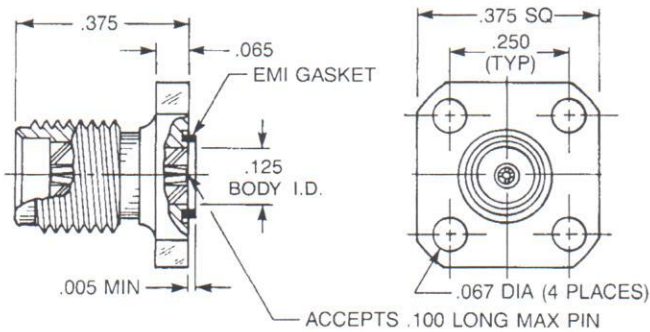
9049-9513-000

Optional packaging:

9149-9513-000 (Includes 920-56)

9249-9513-000 (Includes 920-56 and 907-111-2)

9349-9513-000 (Includes 907-111-2)



### 3/8" Square Flange

9074-9513-000

Optional packaging:

9174-9513-000 (Includes 920-56)

9274-9513-000 (Includes 920-56 and 907-111-2)

9374-9513-000 (Includes 907-111-2)

### Rectangular Flange

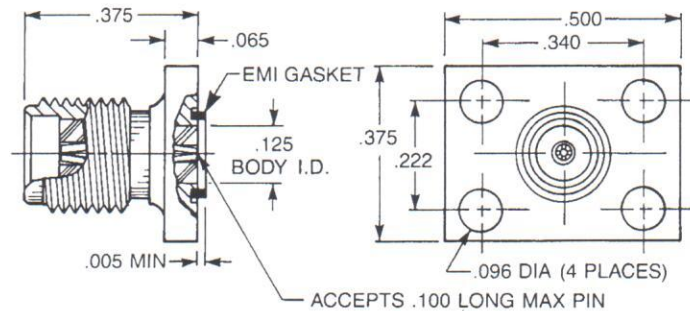
9068-9513-000

Optional packaging:

9168-9513-000 (Includes 920-56)

9268-9513-000 (Includes 920-56 and 907-111-2)

9368-9513-000 (Includes 907-111-2)

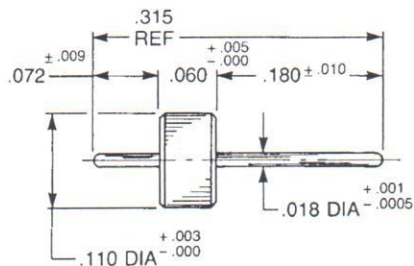


These units accept hermetic seal pin diameters .016-.020"

## Hermetic Seal and Accessory Contact

### Solder-In Hermetic Seal

P/N 920-56



### Accessory Contact

P/N 907-111-2



ACCEPTS .100 LONG MAX PIN

Material: Beryllium copper

Finish: Gold per MIL-G-45204, type II, class 1, grade C over .0001 copper per MIL-C-14450



APPLIED ENGINEERING PRODUCTS

(203) 776-2813 • FAX (203) 776-8294

www.aepconnectors.com • aepsales@aepconnectors.com