

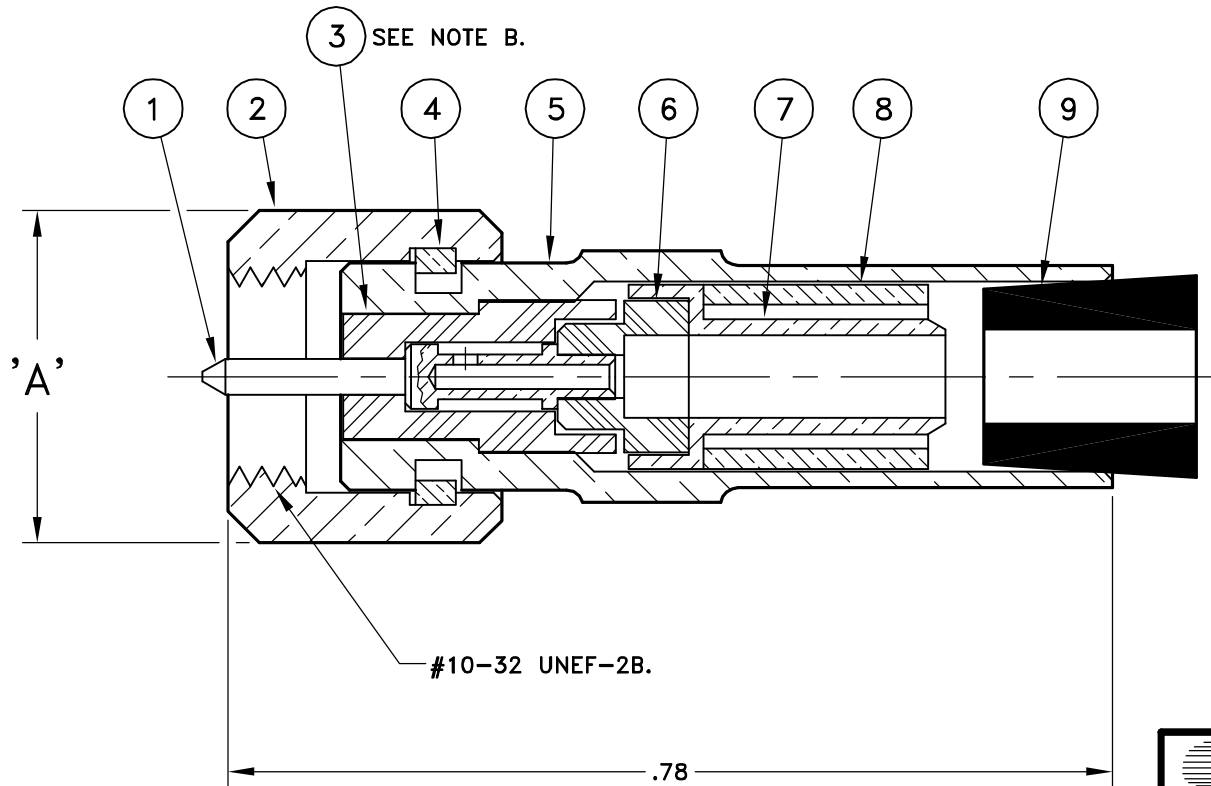
DASH #	BODY FINISH	CONTACT FINISH	GASKET MATERIAL	'A'	CABLE:	NOTES:
-1	GOLD	GOLD	SILICONE	.25 $\phi$ KNURL	RG174, 188, 316	—
-2	GOLD	—	—	.25 $\phi$ KNURL	—	LESS ITEMS 1, 6, 7, 8 & 9
-3	GOLD	GOLD	SILICONE	.250 HEX	RG174, 188, 316	—

THIS DOCUMENT CONTAINS PROPRIETARY INFORMATION & MAY NOT BE REPRODUCED OR DISCLOSED TO OTHERS WITHOUT WRITTEN CONSENT FROM CONNECTRONICS, INC.

NOTES:

A.) CONNECTOR SHOWN FULLY ASSEMBLED FOR REFERENCE ONLY. ASSEMBLE ITEMS 2, 3, 4 & 5 TOGETHER ONLY. ALL REMAINING COMPONENTS TO BE SHIPPED UNASSEMBLED.

B.) INSULATOR (ITEM #3) MUST WITHSTAND 1 LB. PUSH FORCE WITHOUT MOVING.



**CONNECTRONICS, INC.**  
EDINBURGH, INDIANA

FSCM 43608

**TOLERANCES**  
UNLESS OTHERWISE SPECIFIED

DWG BY: JOHN B | DATE: 9/13/10

APVD BY: | SCALE: —

MATERIAL: —

FINISH: —

DESCRIPTION: MD

CABLE PLUG, CRIMP

2 PL DEC  $\pm .020$

3 PL DEC  $\pm .005$

ANG. DIM  $\pm 1/2^\circ$

DRAWING NO.

75-211

SHT 1 OF 1

REVISIONS

-C-  
ECN5317  
REDRAWN ON CAD.  
CHARTED 'A' & ADDED -3.  
JB 9/13/10