

BOOT STD 0.9_SHT_BK_1000-P

Description

Boot, BFF, < \varnothing 1.0mm, black, short

Features

- Halogen free and flame retardant material according to UL94 V-0



Technical Data

General Data

Characteristics	Values
Compatibility	LSH, FC, SC, LSA, SMA, ST
Boot family	BFF
Cable diameter max. (mm)	0.9
Cable diameter min. (mm)	0.6
Material	Plastic
Color	Black
Weight in kg	0.0002

Mechanical Data

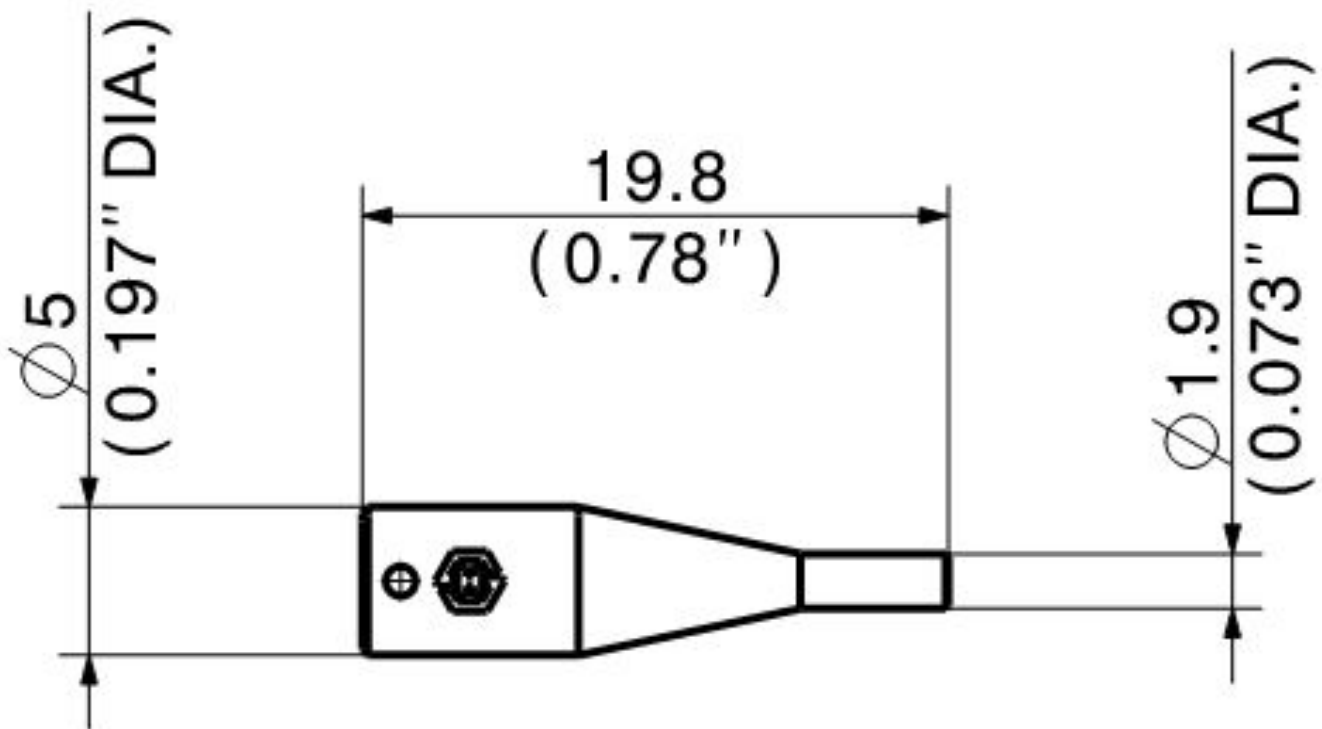
Characteristics	Values
Operating temperature min. (°C)	-40
Operating temperature max. (°C)	85

Environment Data

Characteristics	Values
RoHS compliant	Yes
REACH compliant	Yes
Free of halogen	Yes
UV resistant	Yes
Flammability rating	UL94 V-0

BOOT STD 0.9_SHT_BK_1000-P

Technical drawing



Ordering information

Description	Item number
BOOT STD 0.9_SHT_BK_1000-P	23003203