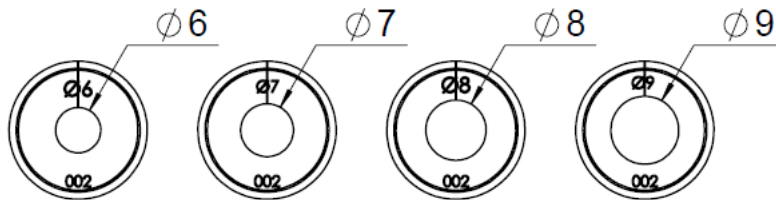
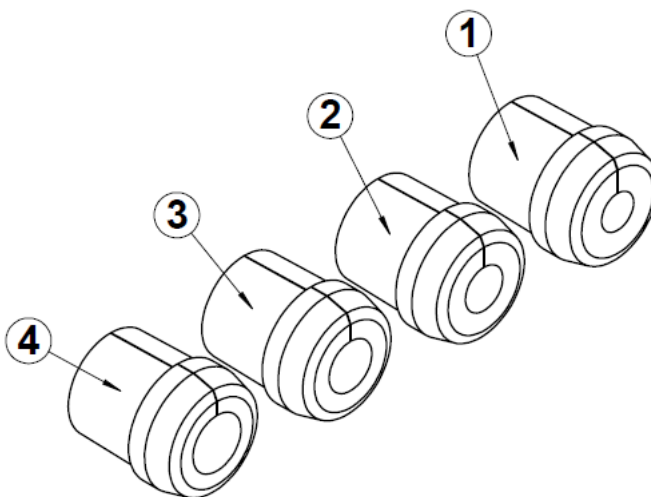
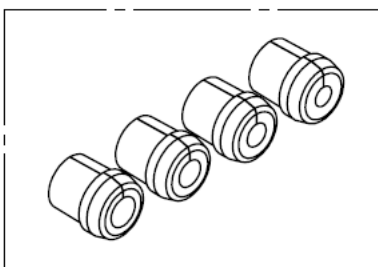


PAGE 1/2	ISSUE 28-01-19A	SERIES OCTIS	PART NUMBER OCTI090504
----------	-----------------	--------------	------------------------



inner diameters are given for reference only

**Packing configuration**



All dimensions are in mm. Tolerances according ISO 2768 m-H

DESCRIPTION

REP	COMPONENT	MATERIALS	PLATING
1	Split rubber gland Ø6	SILICONE	-
2	Split rubber gland Ø7	SILICONE	-
3	Split rubber gland Ø8	SILICONE	-
4	Split rubber gland Ø9	SILICONE	-

PAGE 2/2	ISSUE 28-01-19A	SERIES OCTIS	PART NUMBER OCTI090504
----------	-----------------	--------------	------------------------

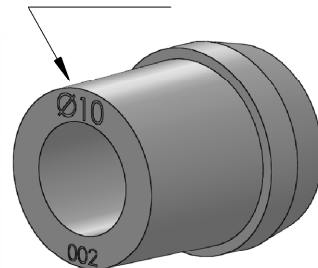
**GENERAL CHARACTERISTICS**

<b>Mechanical</b> Weight (g)		22.5700
<b>Environmental</b> Storage temperature (°C) RoHS	IEC 61300-2-22 -	-65 / +85 Compliant
<b>Others:</b> Use	-	This part must be used with the complete connector Manipulate with gloves
Packaging	-	Unitary in plastic bag

**RUBBER GLAND SELECTION CHART**

ΦD*	Recommended gland size
From 4.8 min to 5.8 Max	"6"
From 5.8 min to 6.8 Max	"7"
From 6.8 min to 7.8 Max	"8"
From 7.8 min to 8.8 Max	"9"
From 8.8 min to 9.8 Max	"10"
From 10.3 min to 11.3 Max	"11.5"

Gland size is written on the gland edge



\*Cable diameter under the gland. If the cable has a sleeve, the diameter over the sleeve should be considered  
The tolerances of ΦD should be taken into account to make sure it is always within the specified range