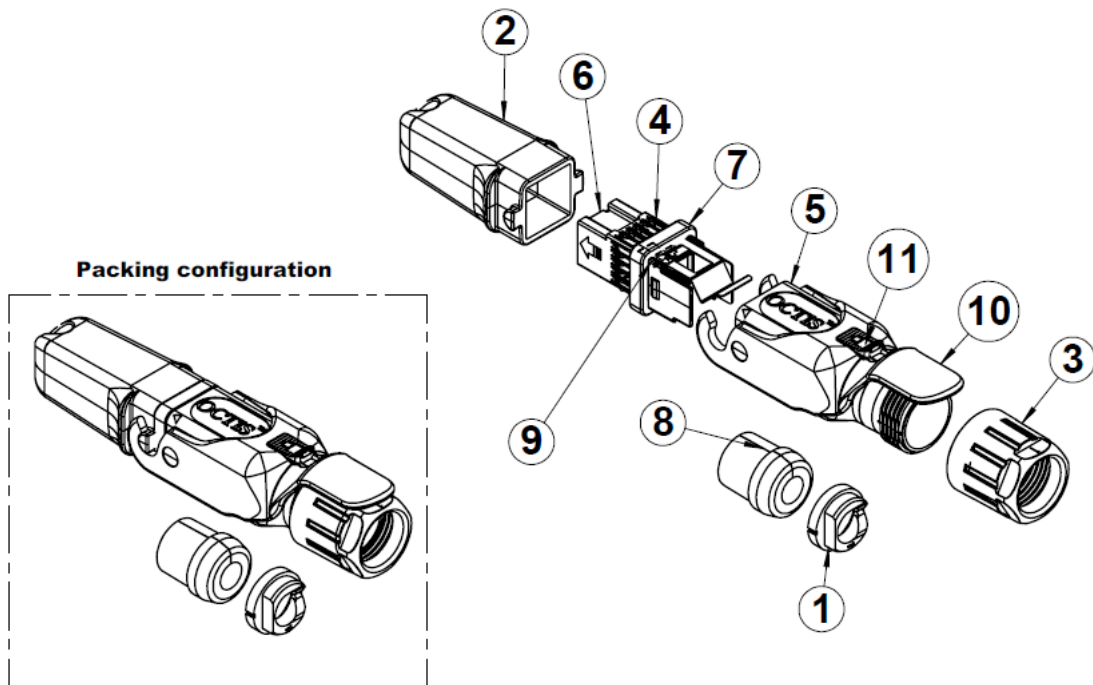
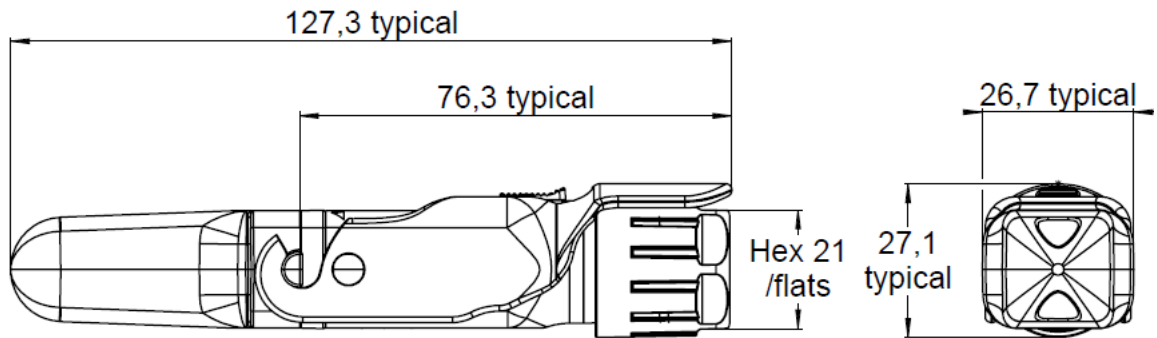


PAGE 1/3	ISSUE 07-03-19B	SERIES OCTIS	PART NUMBER OCTI117500
----------	-----------------	--------------	------------------------



All dimensions are in mm. Tolerances according ISO 2768 m-H.

DESCRIPTION

REP	COMPONENT	MATERIALS	PLATING
1	Tightening cone	NYLON	-
2	Plug cap	PBT GF	-
3	Gland nut	PBT GF	BLUE COLOR
4	Grounding ring	STAINLESS STEEL	-
5	Housing	PBT GF	-
6	Holder	ZAMAK	PASSIVATED
7	Interface sealing gasket	SILICONE	-
8	Split rubber gland Ø8	SILICONE	-
9	Spring Blade	STAINLESS STEEL	-
10	Lever	IXEF	-
11	Locking button	PBT GF	-

PAGE 2/3	ISSUE 07-03-19B	SERIES OCTIS	PART NUMBER OCT1117500
----------	------------------------	---------------------	-------------------------------

GENERAL CHARACTERISTICS

Mechanical Mating endurance (cycles) Axial Tensile load (N typical) Vibration Recom. coupling torque (N.cm) Weight (g)	IEC 61300-2-2 IEC 61300-2-4 IEC 61300-2-1 - -	100 150 * - 250 min. / 300 max. 59.5770
Environmental Protection class Operating temperature (°C) Storage temperature (°C) Humidity (damp heat) (%RH) Salt Mist RoHS Flammability UVB Resist (h)	IEC 60529 IEC 61300-2-22 IEC 61300-2-22 IEC 61300-2-19 IEC 61300-2-26 (ISO21207 method B) - UL 94 ASTM G154 cycle 2	IP67 ** -40 / +85 -65 / +85 5 / 95 720h ** Compliant V0 1000
Others Equipment interface SFP /SFP+ Cable Packaging	- MSA - -	For use with OCTIS™ panel interface or receptacle *** For use with transceiver complying to the SFP/SFP+ standard For use with standard LC duplex patchcord, MultiMode or SingleMode **** Unitary in plastic bag with assembly note.

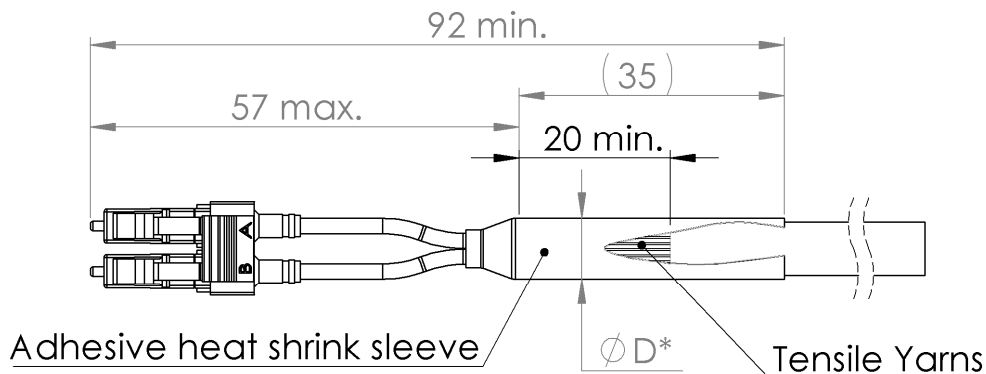
* Depending on cable characteristics

** Mated condition

*** If the interface is to be die casted into the equipment panel, please contact Radiall for license conditions and interface definition

**** Refer to fan-out dimensional requirement and rubber gland selection chart below

FANOUT DEFINITION

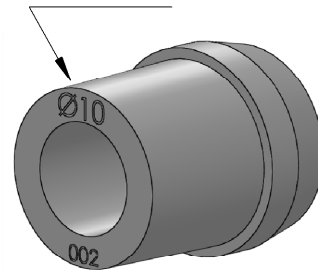


PAGE 3/3	ISSUE 07-03-19B	SERIES OCTIS	PART NUMBER OCT1117500
----------	-----------------	--------------	------------------------

RUBBER GLAND SELECTION CHART

ΦD^*	Recommended gland size
From 4.8 min to 5.8 Max	"6"
From 5.8 min to 6.8 Max	"7"
From 6.8 min to 7.8 Max	"8"
From 7.8 min to 8.8 Max	"9"
From 8.8 min to 9.8 Max	"10"
From 10.3 min to 11.3 Max	"11.5"

Gland size is written on the gland edge



*Cable diameter under the gland. If the cable has a sleeve, the diameter over the sleeve should be considered
The tolerances of ΦD should be taken into account to make sure it is always within the specified range