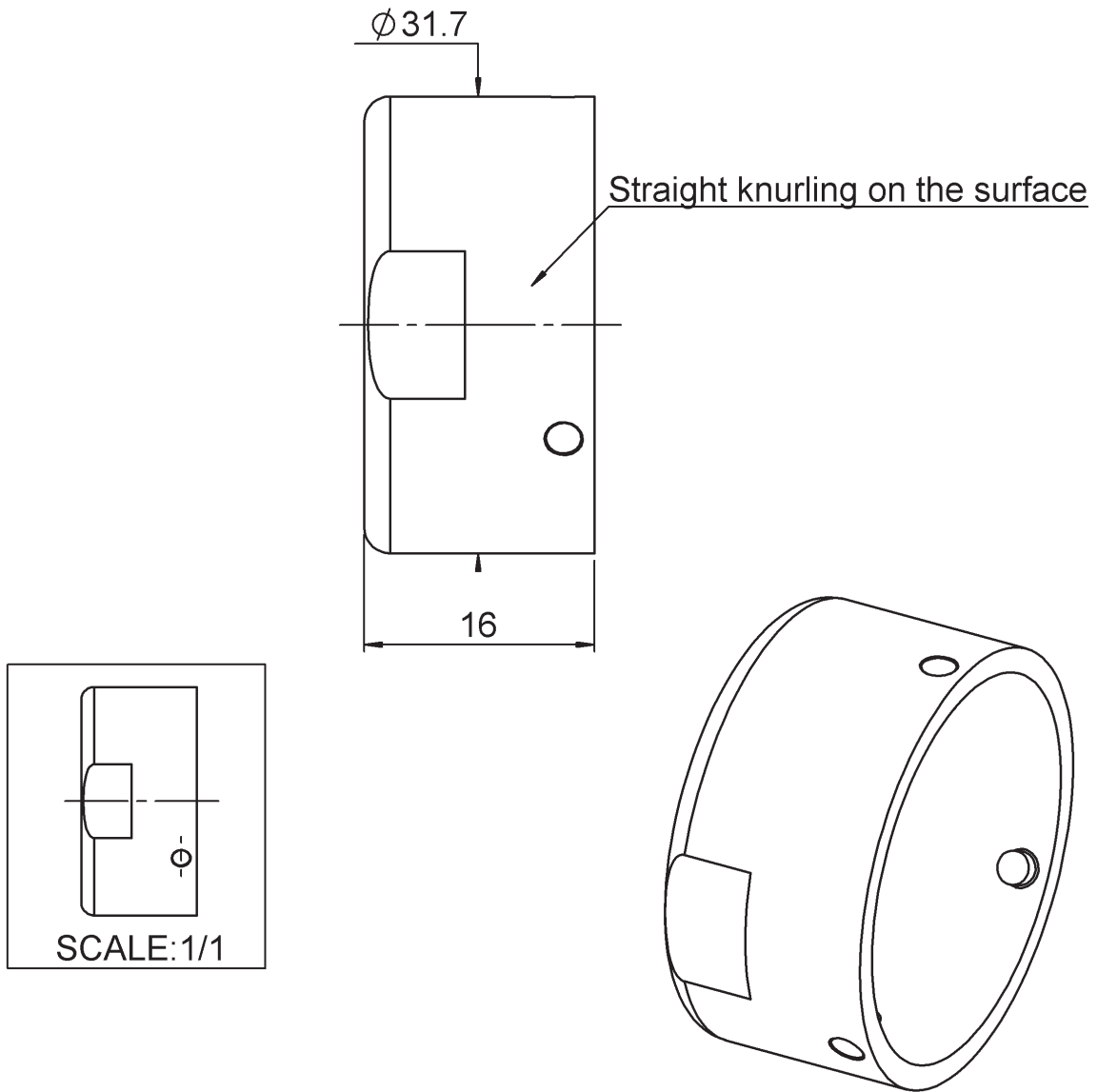


PAGE 1/1	ISSUE 1329A	SERIES R2CT	PART NUMBER R299988110
----------	-------------	-------------	------------------------



All dimensions are in mm.



**DESCRIPTION**

REP	COMPONENT	MATERIALS	PLATING
1	PROTECTION CAP	ALUMINIUM	

**GENERAL CHARACTERISTICS**

<b>Mechanical</b> Weight	10g
-----------------------------	-----

**PACKAGING :**

140 pieces in one cardboard box (volume = 5 L).