

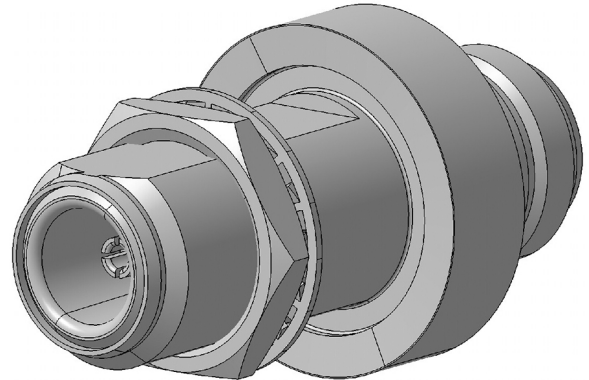
EMP Protector 3406.17.0009

Description

Slim Line GDT technology

Benefits

Broad-band design
 DC continuity for remote powering
 The protector can also be installed reversely
 Fix installed GDT, static sparkover-voltage nom. 200 V
 Compliant to IEC 61643-21



Product Configuration

Main path connectors	Port 1: <u>unprotected</u> , N jack (female) - Port 2: <u>protected</u> , N jack (female)
Mounting and grounding	MH24 (bulkhead mounting), brk (bracket)
Side of bulkhead	protected side

Technical Data

Electrical Data

Impedance	50 Ω		
Frequency range	0 - 6000 MHz	0 - 5600 MHz	5600 - 5800 MHz
Return loss	≥ 15 dB	≥ 20 dB	≥ 18.5 dB
Insertion loss	≤ 0.3 dB	≤ 0.2 dB	≤ 0.2 dB
RF CW power	≤ 50 W		
PIM 3rd order	not specified		

Surge current handling capability	10 single / 5 multiple kA (test pulse 8/20 μs)
Residual pulse energy	250 μJ typically (test pulse 4 kV 1.2/50 μs / 2 kA 8/20 μs) main path - protected side

Mechanical Data

Number of matings	500
Weight	90 g

Environmental Data

Operating temperature	-40 °C to +85 °C
Waterproof degree	IP67 (according to IEC 60529, data refer to the coupled state)
2011/65/EC (RoHS)	compliant acc. Annex III

Material Data

Piece Parts	Material	Surface Plating
Housing	Brass	Silver / Gold Plating
Port 1 center contact	Copper Beryllium Alloy	Gold Plating (without Nickel underplating)
Port 2 center contact	Copper Beryllium Alloy	Gold Plating (without Nickel underplating)

Related Documents

Outline drawing	DOU-00004266
Mounting instruction	DOC-0000176104

Remarks

Static spark-over voltage: 200V +/- 25%
 Return Loss 5600 - 5800 MHz typ > 20 dB