

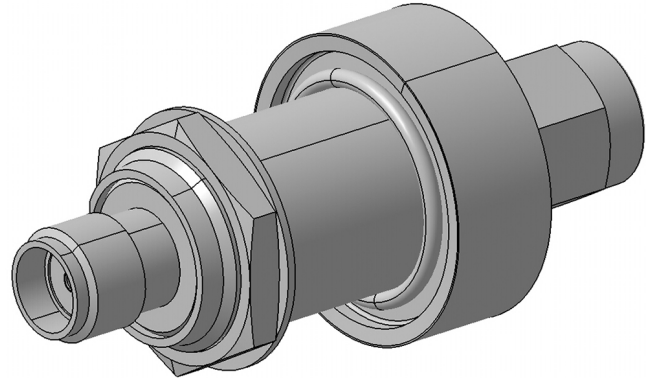
EMP Protector 3406.19.0004

Description

Slim Line GDT technology

Benefits

Broad-band design
 DC continuity for remote powering
 The protector can also be installed reversely
 Fix installed GDT, static sparkover-voltage nom. 200 V
 Compliant to IEC 61643-21



Product Configuration

Main path connectors Port 1: unprotected, SMA plug (male) - Port 2: protected, SMA jack (female)
 Mounting and grounding MH3 (bulkhead mounting), brk (bracket)

Technical Data

Electrical Data

Impedance	50 Ω		
Frequency range	0 - 5800 MHz	0 - 5600 MHz	5600 - 5800 MHz
Return loss	≥ 18.5 dB	≥ 20 dB	≥ 18.5 dB
Insertion loss	≤ 0.2 dB	≤ 0.2 dB	≤ 0.2 dB
RF CW power	≤ 60 W		
PIM 3rd order	not specified		
DC supply voltage	≤ 48 V		
DC current	≤ 2 A		
Surge current handling capability	10 single / 5 multiple kA (test pulse 8/20 μs)		
Residual pulse energy	250 μJ typically (test pulse 4 kV 1.2/50 μs / 2 kA 8/20 μs) main path - protected side		

Mechanical Data

Number of matings	500
Weight	24 g

Environmental Data

Operating temperature	-40 °C to +85 °C
Waterproof degree	IP20 (according to IEC 60529, data refer to the coupled state)
2011/65/EC (RoHS)	compliant acc. Annex III

Material Data

Piece Parts	Material	Surface Plating
Housing	Brass	Silver / Gold Plating
Port 1 center contact	Brass	Gold Plating (without Nickel underplating)
Port 2 center contact	Copper Beryllium Alloy	Gold Plating (without Nickel underplating)

Related Documents

Outline drawing	DOU-00004282.1
Mounting instruction	DOC-0000176104

Remarks

Static spark-over voltage: 200V +/- 25%
 Waterproof degree for unprotected side in mated condition: IP65 acc. IEC 60529.