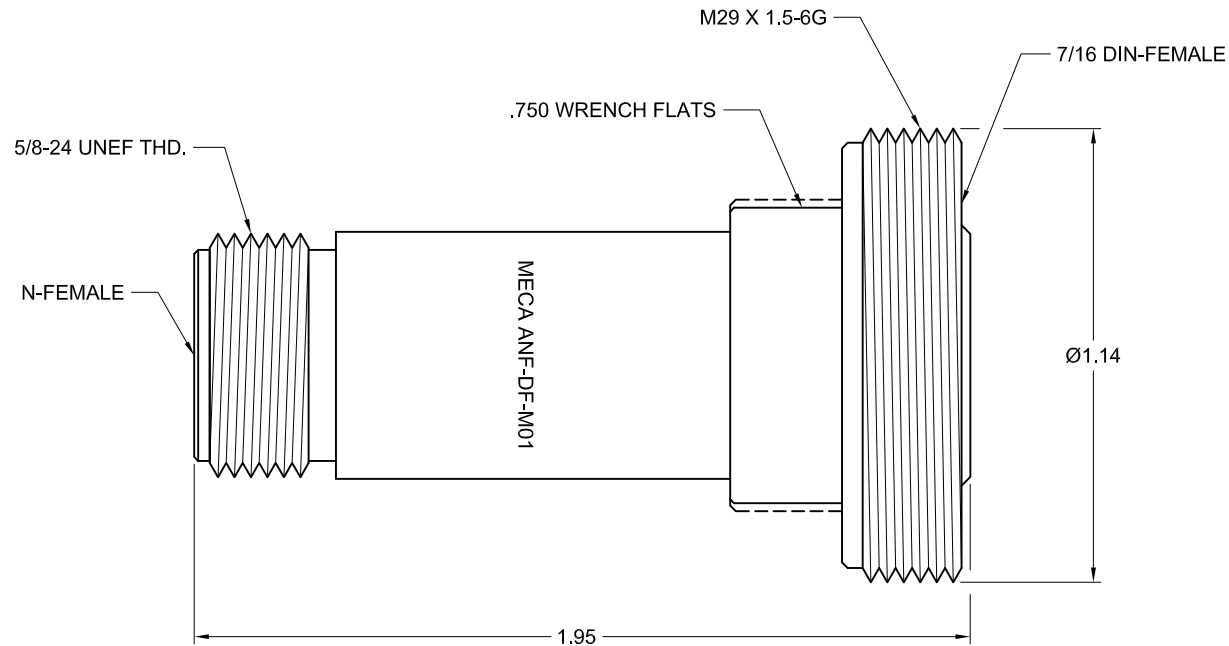



# SPECIFICATIONS

FREQUENCY RANGE (GHz): DC - 7.5 GHz  
 IMPEDANCE (NOMINAL): 50 Ohms  
 TEMPERATURE RANGE: -65°C TO +85°C  
 VSWR: Hz - 1.0 1.05:1  
 1.0 - 4.0 1.15:1  
 4.0 - 7.5 1.25:1  
 PIM: < -160 dBc

MFG CODE	DESCRIPTION
/M	N-FEMALE TO DIN-FEMALE ADAPTER



BODY: BRASS, ALBALOY PLATED  
 CENTER CONTACT: BeCu, SILVER PLATED

A	PG	DESCRIPTION	DATE	DR	APP	NEXT LEVEL ASSY.	MATERIAL:	TOP LEVEL ASSY:	TITLE			
		NEW	02/03/12	M.O.C.	RR	VARIOUS	SEE ABOVE	VARIOUS	 <b>ELECTRONICS, INC.</b> DENVERVILLE, NEW JERSEY e-MECA.com			
							FINISH:	UNLESS OTHERWISE SPECIFIED, DIMENSIONS ARE IN INCHES				
							SEE ABOVE	TOLERANCES	<b>ADAPTER, N-FEMALE TO DIN-FEMALE</b>			
								N/A				
							DRAWN:	DATE:	TIR: N/A	CAGE CODE NO.	DRAWING NO.	REV
							M.O.C.	02/03/12	SCALE: NTS			
							APPROVED:	DATE:	SHEET: 1 OF 1			
							RR	06/19/12				