

ENVELOPE / ASSEMBLY DRAWING

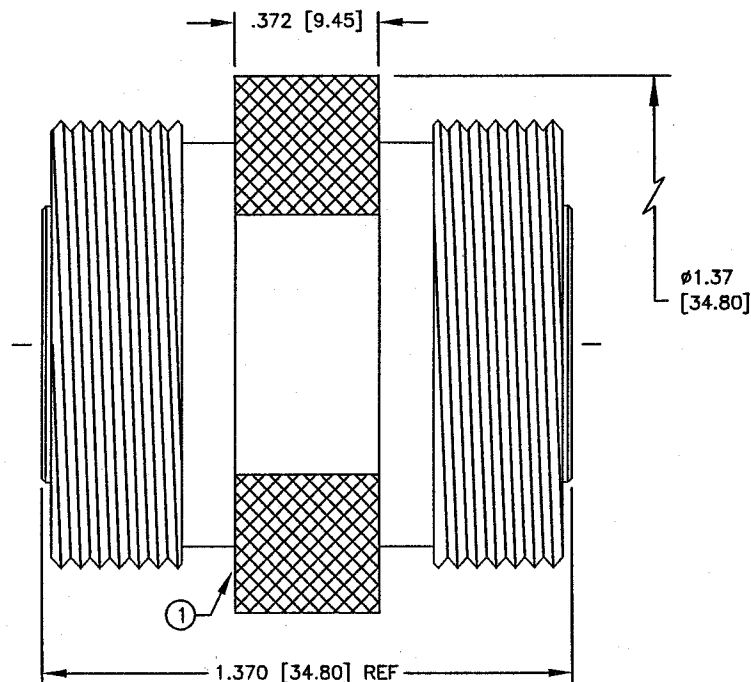
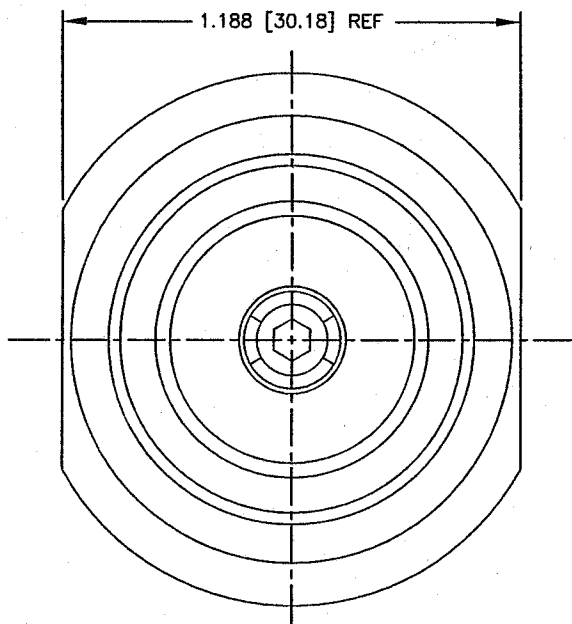
000000

SPECIFICATION CONTROL DRAWING

THIS DRAWING CONTAINS INFORMATION PROPRIETARY TO RF INDUSTRIES, LTD. ANY UNAUTHORIZED USE OF THIS DRAWING IS EXPRESSLY PROHIBITED. ANY VIOLATION IS PUNISHABLE UNDER U.S. COPYRIGHT LAWS.

REV	DESCRIPTION	DWN	DATE	APPROVED
A	ENGINEERING RELEASE	KMM	2/14/97	R. RICE
B	CHANGE DRAWING FORMAT	KMM	3/18/97	R. RICE
C	GRND RING NOW PHOS BRONZE / P/N's NOW REFELECT PLATING	CZS	10/19/98	R. RICE
D	CHANGE GROUND RING FROM SLOTS TO SOLID	CZS	12/12/00	J. D. McR.

ALL DIMENSIONS ARE REFERENCE ONLY



SPECIFICATIONS:

IMPEDANCE: 50 OHMS
 FREQUENCY RANGE: DC-7.5 GHz
 INSERTION LOSS: -.01 dB √ FREQUENCY GHz
 VSWR MAX: <1.10:1 @ DC-7.5 GHz
 3rd ORDER IM -dBc: > -150 dBc
 INTERFACE PER ITL-SPEC-CECC-22190

DIMENSIONS ARE IN INCHES AND [MILLIMETERS]

UNLESS OTHERWISE NOTED TOLERANCES ARE:
 DECIMALS DIAMETER

RFconnectors
 DIVISION OF RF INDUSTRIES, LTD.

7610 MIRAMAR RD
 SAN DIEGO, CA 92126
 (858) 549-6340
 (858) 549-6345 FAX

RFD-1653-2

7-16 DIN FEMALE TO 7-16 DIN FEMALE BARREL ADAPTER

ITEM	DESCRIPTION	PART NUMBER	QTY	MATERIAL	FINISH	APPROVALS	DATE
5	GROUND RING	014-16F0003BS	2	BRASS	SILVER		
4	DIELECTRIC	010-16X0002TX	1	TEFLON	NONE		
3	CONTACT SHAFT	013-16X0003BE	1	BRASS	SILVER		
2	CONTACT	008-16F0002CE	2	BeCu	SILVER		
1	BODY	001-16F0002BE	1	BRASS	SILVER		

DRAWN	C. ZUNIGA	12/12/00
CHECKED	<i>[Signature]</i>	12-12-00
ORJ DRAWN	K. MAXWELL	2/14/97

SIZE	A	CABLE GROUP	N/A	DWG NO.	8693	REV	D
SCALE:	2:1	CAD FILE	13ARC B	SHEET 1 OF 1			