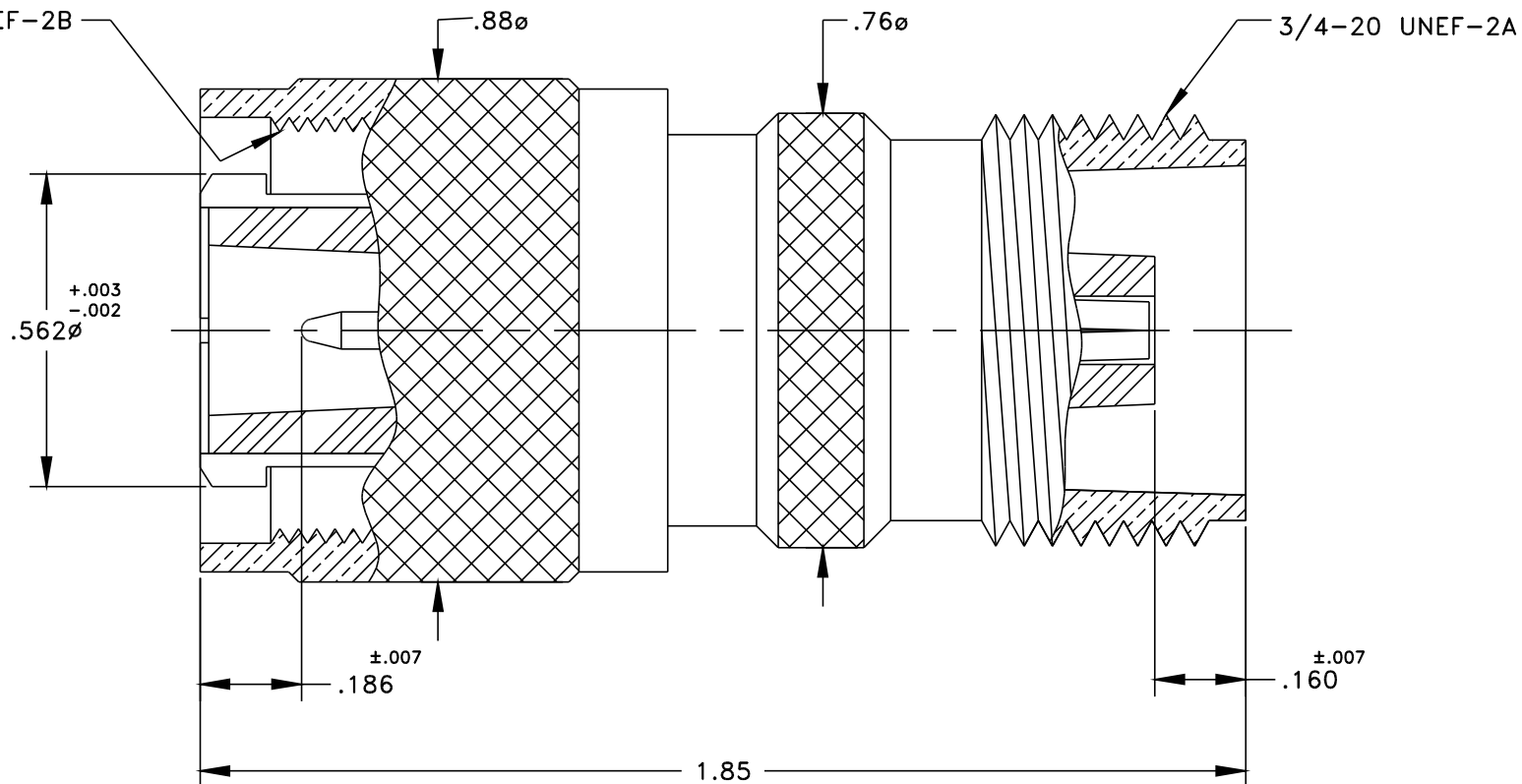


THIS DOCUMENT CONTAINS PROPRIETARY INFORMATION
& MAY NOT BE REPRODUCED OR DISCLOSED TO OTHERS
WITHOUT WRITTEN CONSENT FROM CONNECTRONICS, INC.

OUTLINE DRAWING



REVISIONS

CONNECTRONICS, INC.
EDINBURGH, INDIANA

FSCM 43608

TOLERANCES
UNLESS OTHERWISE SPECIFIED

DWG BY: RLC

DATE: 9/22/05

2 PL DEC ±.020

APVD BY:

SCALE: _____

3 PL DEC ±.005

MATERIAL: _____

FINISH: _____

ANG. DIM ±1/2°

DESCRIPTION: HN

DRAWING NO.

ADAPTOR, PLUG TO JACK

56-603

SHT 1 OF 2

MATERIALS & FINISHES

BODY, SLEEVE & OUTER CONTACT

- BRASS, COMP. 22, 1/2 HD PER QQ-B-626
 303 STAINLESS STEEL PER QQ-S-764
 BERYLLIUM COPPER PER QQ-C-530

PLATING

- NICKEL
 SILVER
 GOLD
 PASSIVATE

INSULATORS

- TEFLON PER L-P-403
 BLACK NORYLL
 REXOLITE
 DELRIN
 NYLON

CONTACT

- BRASS, COMP. 22, 1/2 HD PER QQ-B-626
 BERYLLIUM COPPER PER QQ-C-530

PLATING

- NICKEL
 SILVER
 GOLD
 TRI-M3

GASKETS/O-RINGS

- BUNA N-MIL-STD-417 CLASS SB410 (40 DURO)
 SILICONE-ZZ-R-765 CLASS 2A GRADE 60 RED (60 DURO)
 ASTM D 2000-SAEJ200 3CH71SA25DISE16B36FIS (40 DURO)
 LS-53-AMS 3325 OR AMS 3326 (40 DURO)
 MIL-R-83248 CLASS 1 (75 DURO)
 SILICONE-ZZ-R-765 CLASS 1B, GRADE 50 RED

SNAP RING

- PHOSPHOR BRONZE
 BERYLLIUM COPPER

SPECIFICATIONS

IMPEDANCE

- 50 OHMS
 75 OHMS
 NON-CONSTANT

FREQUENCY RANGE: 0 TO 4 GHz

VOLTAGE RATING: 1500V RMS

DIELECTRIC WITHSTANDING VOLTAGE:
5000 VOLTS RMSINSULATION RESISTANCE:
5000 MEGOHMS MIN.

TEMP. RANGE: -65°C TO +165°C

MISCELLANEOUS

REVISIONS


 EDINBURGH, INDIANA

FSCM 43608

TOLERANCES
UNLESS OTHERWISE SPECIFIED

DWG BY: DZ DATE: 9/22/05

APVD BY: SCALE: _____

MATERIAL: _____

FINISH: _____

DESCRIPTION: HN

ADAPTOR, PLUG TO JACK

2 PL DEC \pm .0203 PL DEC \pm .005ANG. DIM \pm 1/2°DRAWING NO.
56-603
SHT 2 OF 2