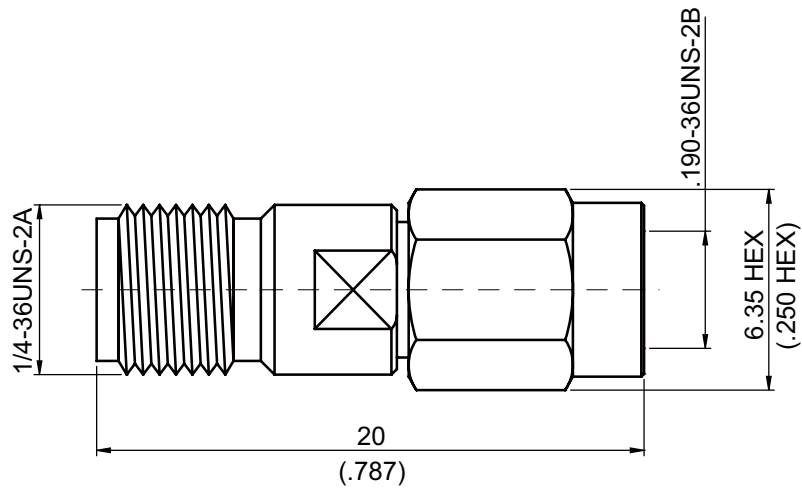


AD-A8SA3

SMA Jack To SSMA Plug

50Ω



Typical VSWR

Part Number	1GHz	2GHz	3~4GHz	5~8GHz
AD-A8SA3	1.04	1.06	1.07	1.2

Parts	Material	Plating (Micro-inch)
Retainer Ring	Beryllium Copper	Tin-Zinc-Copper-Alloy 100 Over Copper 50
Gasket	Silicon	
Contact Pin	Beryllium Copper	Gold 4 Over Nickel Phosphorous Alloy 80 Over Copper 20
Insulator	Teflon	
Body	Brass	Gold 4 Over Nickel Phosphorous Alloy 80 Over Copper 20
Coupling Nut	Brass	Gold 4 Over Nickel Phosphorous Alloy 80 Over Copper 20

Weight:

This part number complies with RoHS.

Notice: JYEBAO reserves the right to make modifications deemed appropriate.