

NOTES:

THIS DOCUMENT CONTAINS PROPRIETARY INFORMATION & MAY NOT BE REPRODUCED OR DISCLOSED TO OTHERS WITHOUT WRITTEN CONSENT FROM CONNECTRONICS, INC.

A.) MATERIAL;

- 1.) BODY / BERYLLIUM COPPER PER QQ-C-530.
- 2.) CONTACT / BERYLLIUM COPPER PER QQ-C-530.
- 3.) INSULATOR / PTFE PER ASTM D1710.
- 4.) SLEEVE / 303 STAINLESS STEEL PER QQ-S-764.
- 5.) GASKET / SILICONE RUBBER PER ZZ-R-765, CLASS 1B, GRADE 50.
- 6.) RING / CARBON SPRING STEEL PER SAE 1060-1090

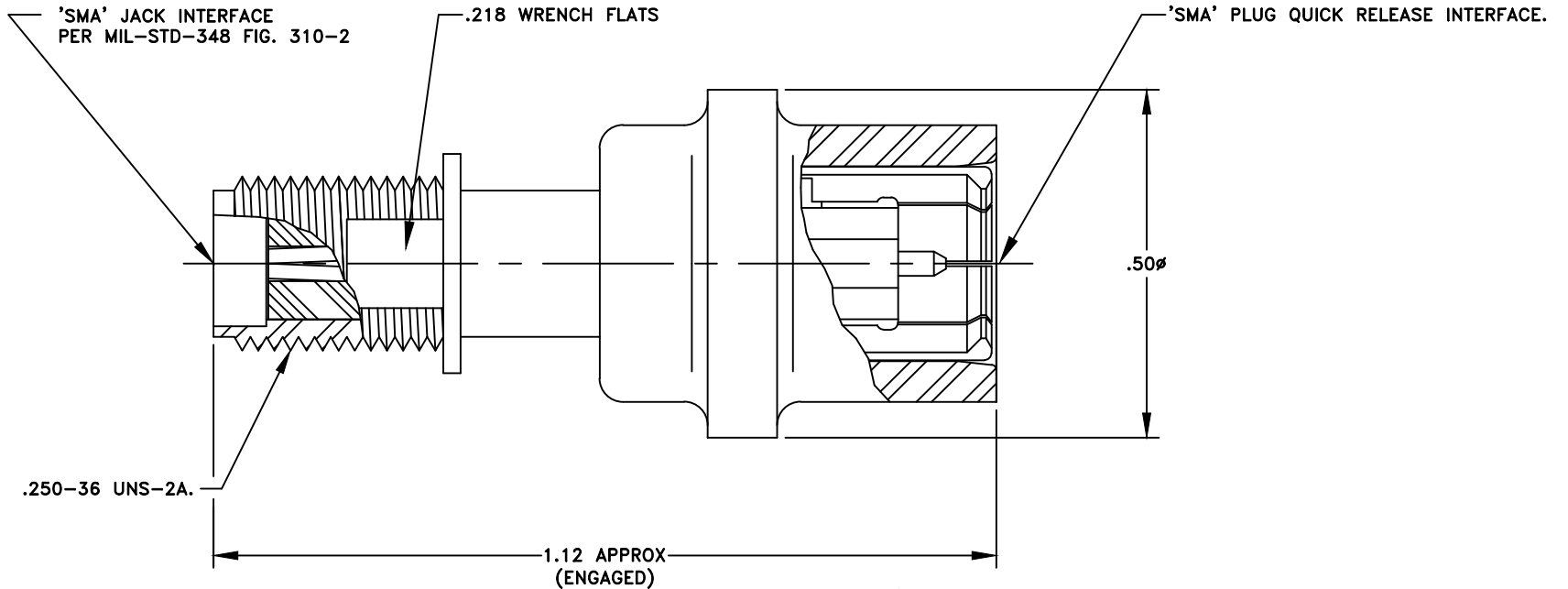
B.) FINISH;

- 1.) BODY / .0002 MIN. BRIGHT NICKEL PER QQ-N-290.
- 2.) CONTACT / .00005 MIN. GOLD OVER NICKEL PER MIL-G-45204.
- 3.) SLEEVE / PASSIVATED PER QQ-P-35.
- 4.) RING / BLACK PHOSPHATE COATING.

C.) TEMPERATURE RANGE / -65° TO +165°C

D.) ELECTRICAL SPECS;

- 1.) IMPEDANCE / 50 OHMS.
- 2.) VOLTAGE RATING / 500 VRMS.
- 3.) DIELECTRIC WITHSTANDING VOLTAGE / 1,500 VRMS.
- 4.) INSULATION RESISTANCE / 5,000 MEGOHMS MIN.
- 5.) FREQUENCY RANGE / DC TO 18 GHz.
- 6.) VSWR / 1.21:1 MAX @ 18 GHz.
- 7.) INSERTION LOSS (dB MAX) / .04 dB X $\sqrt{\text{FGHz}}$.



| | | |
|--|--|--|
| CONNECTRONICS, INC. EDINBURGH, INDIANA | | FSCM 43608 |
| DWG BY: DZ | | DATE: 9/17/15 |
| APVD BY: | | SCALE: - |
| MATERIAL: _____ | | TOLERANCES UNLESS OTHERWISE SPECIFIED |
| FINISH: _____ | | 2 PL DEC ±.020 |
| DESCRIPTION: SMA PLUG TO JACK QUICK RELEASE TEST ADAPTOR | | 3 PL DEC ±.005 |
| | | ANG. DIM ±1/2° |
| | | DRAWING NO. 42-627-1 SHT 1 OF 1 |

- OUTLINE DRAWING -

REVISIONS
-A-
ECN6176