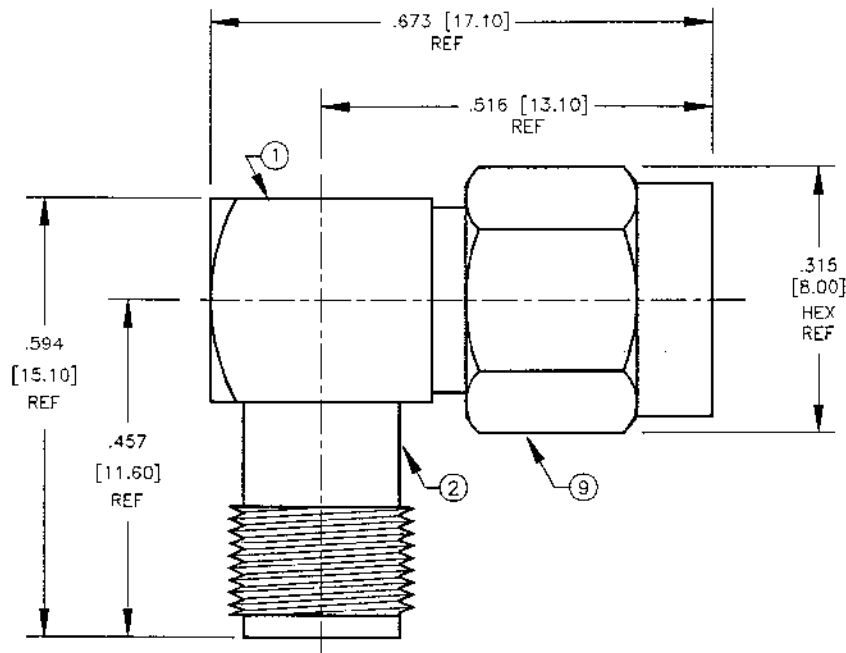


ENVELOPE / ASSEMBLY DRAWING

008974

SPECIFICATION CONTROL DRAWING THIS DRAWING CONTAINS INFORMATION PROPRIETARY TO RF INDUSTRIES, LTD. ANY UNAUTHORIZED USE OF THIS DRAWING IS EXPRESSLY PROHIBITED. ANY VIOLATION IS PUNISHABLE UNDER U.S. COPYRIGHT LAWS.	REV	DESCRIPTION	DWN	DATE	APPROVED
	A	ENGINEERING RELEASE	KMM	9/1/93	C. JONES
	B	CHANGE PART NUMBER FROM RSA-2387 \ ADD ELEC SPECS	KMM	9/3/96	R. RICE



SPECIFICATIONS:

IMPEDANCE: 50 OHMS
 WORKING VOLTAGE: 335 VRMS @ SEA LEVEL
 FREQUENCY RANGE: 0-12.4 GHz

ITEM	DESCRIPTION	QTY	MATERIAL	FINISH
10	END CAP	1	BRASS	NICKEL
9	SHELL	1	BRASS	NICKEL
8	RETAINING RING	1	BeCu	NONE
7	GASKET	1	S.I. RUBBER	RED
6	DIELECTRIC	1	TEFLON	NONE
5	DIELECTRIC	1	TEFLON	NONE
4	CONTACT	1	BeCu	GOLD
3	PIN	1	BRASS	GOLD
2	FEMALE BODY	1	BRASS	NICKEL
1	MALE BODY	1	BRASS	NICKEL

DIMENSIONS ARE IN INCHES AND [MILLIMETERS]	
UNLESS OTHERWISE NOTED TOLERANCES ARE:	
DECIMALS	DIAMETER
DRAWN K. MAXWELL	9/3/96
CHECKED <i>J. Rice</i>	9/10/96
ORIG. DRAWN K. MAXWELL	9/1/93
APPROVALS	DATE

7610 MIRAMAR RD
 SAN DIEGO, CA 92126
 (619)549-6340
 (619)549-6345 FAX

RFconnectors
 DIVISION OF RF INDUSTRIES, LTD.

RSA-3402			
SMA FEMALE TO SMA MALE R/A ADAPTER			
SIZE A	CABLE GROUP N/A	DWG NO. 8204	REV B
SCALE: 4:1		CAD FILE 13ARC B	SHEET 1 OF 1