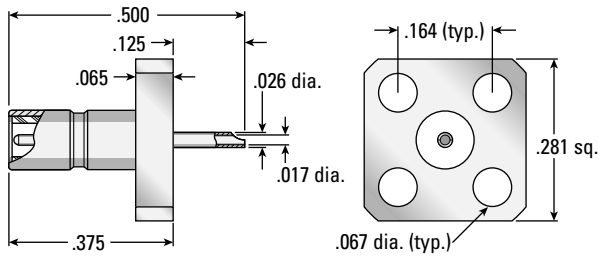


SSMB Receptacles and Adapters

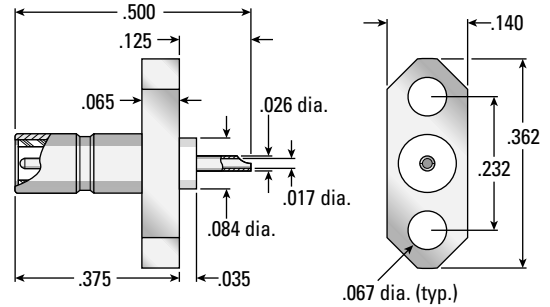
Straight Panel Jack Receptacle (Stainless steel bodies)

4-hole flange



AEP P/N
7498-1513-000

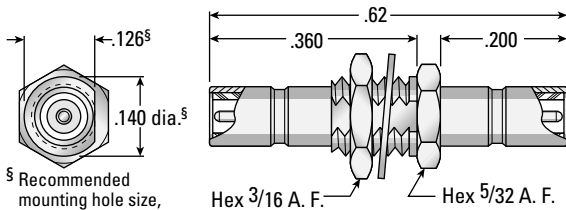
2-hole flange



AEP P/N
7499-1513-000

Bulkhead Mounted Adapters

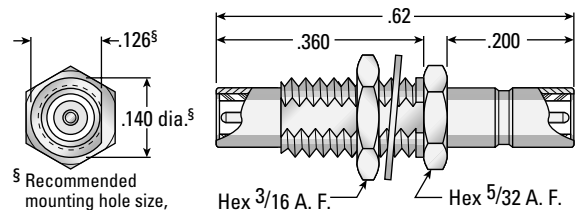
SSMB jack to SSMB jack



[§] Recommended mounting hole size, tolerance +.003, -.000

AEP P/N
7222-1501-000

SSMC jack to SSMB jack

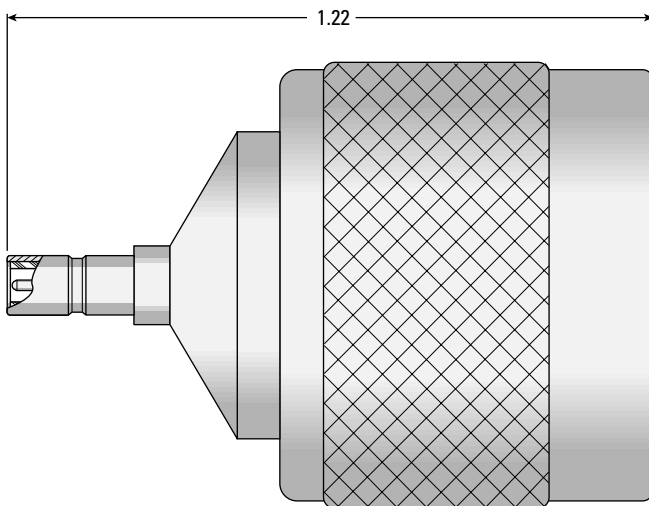


[§] Recommended mounting hole size, tolerance +.003, -.000

AEP P/N
7022-1502-000

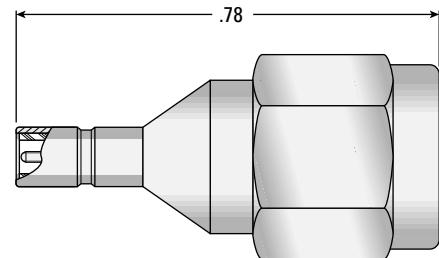
Adapters Between Series

N plug to SSMB jack



AEP P/N
5011-1503-000

SMA plug to SSMB jack



AEP P/N
5937-1503-000