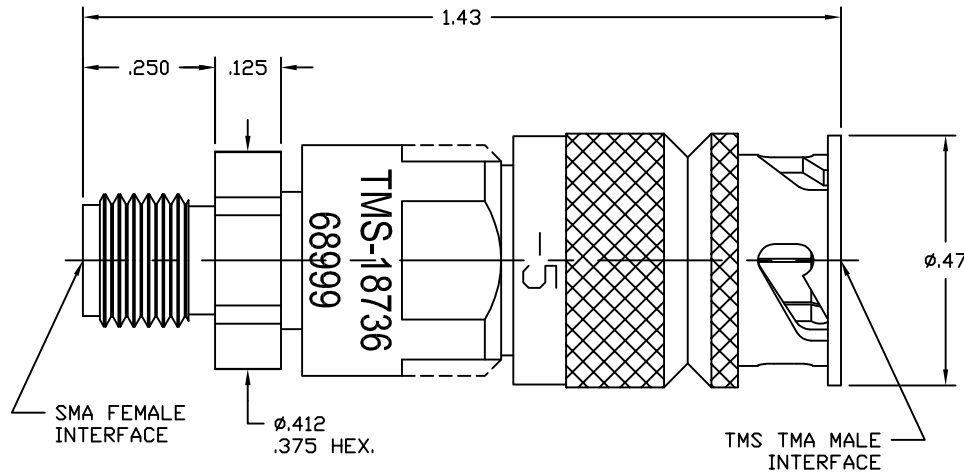


NOTICE OF PROPRIETARY RIGHTS

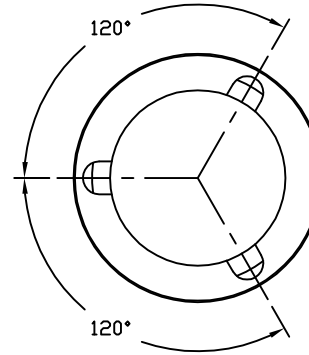
THIS DOCUMENT CONTAINS CONFIDENTIAL TECHNICAL DATA, INCLUDING TRADE SECRETS, PROPRIETARY TO TIMES MICROWAVE SYSTEMS. DISCLOSURE OF THIS DATA IS EXPRESSLY CONDITIONED UPON YOUR ASSENT THAT ITS USE IS LIMITED TO USE WITHIN YOUR COMPANY ONLY. ANY OTHER USE IS STRICTLY PROHIBITED WITHOUT THE PRIOR WRITTEN CONSENT OF TIMES MICROWAVE SYSTEMS.

SD18736-SEE TAB

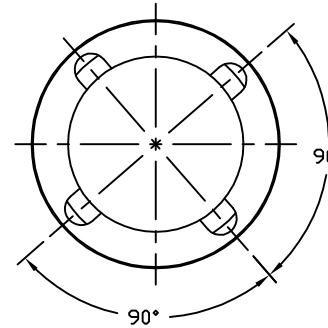
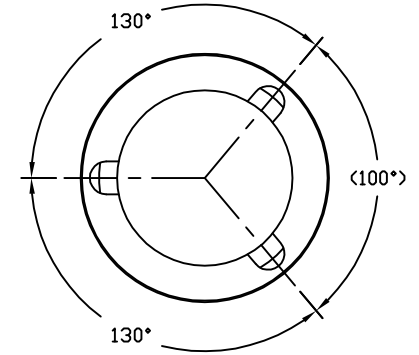
SYM	REVISION DESCRIPTION	DFTM	DATE	APPD	DATE
A	RELEASED FOR PRODUCTION	<i>D.F.H.</i>	8/5/11	<i>J.D.B.</i>	8/9/11



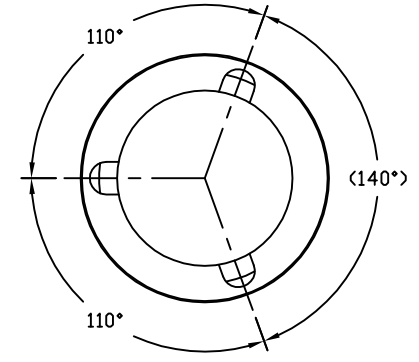
-2 & -6 (120°/120°/120°)



-3 & -7 (130°/130°/100°)



-1 & -5 (90°/90°/90°/90°)



-4 & -8 (110°/110°/140°)

"TMA" COUPLING NUT CONFIGURATION

DRAFTSMAN	<i>Dan Hong</i>	8/5/11
CHECKER	<i>John D. Bloomfield</i>	8/9/11
APPROVED	<i>John D. Bloomfield</i>	8/9/11

UNLESS OTHERWISE SPECIFIED
 ALL DIMENSIONS ARE IN INCHES
 MACHINED SURFACES FINISH N/A RMS MAX.
 REMOVE ALL BURRS .005 MAX. BREAK
 MACHINE CORNERS .005 MAX. FILLET R.
 TOLERANCES ON DECIMALS
 .XX ± .03 .XXX ± .005
 ANGLES ± 1° FRACTIONS ± 1/32

DO NOT SCALE DRAWING

TIMES MICROWAVE SYSTEMS

TITLE:
 ADAPTER
 TMS "TMA" MALE TO
 "SMA" FEMALE

DWG. SIZE	B	DRWG. NO.	SD18736-SEE TAB	REV.	A
CODE IDENT.	68999	SCALE	NONE	SHEET	1 of 1

012855
W.O. NUMBER
MATERIAL:
SEE TABLE

PART NAME	MATERIAL & SPEC. NUMBER	FINISH & SPEC. NUMBER
DIELECTRICS	TEFLON, ASTM D1710	NONE
COUPLING NUT	STAINLESS STEEL, ASTM A582	PASSIVATE, AMS-QQ-P-35
BODIES	BERYLLIUM COPPER, ASTM B196	GOLD PLATE, MIL-G-45204
CONTACT	BERYLLIUM COPPER, ASTM B196	GOLD PLATE, MIL-G-45204