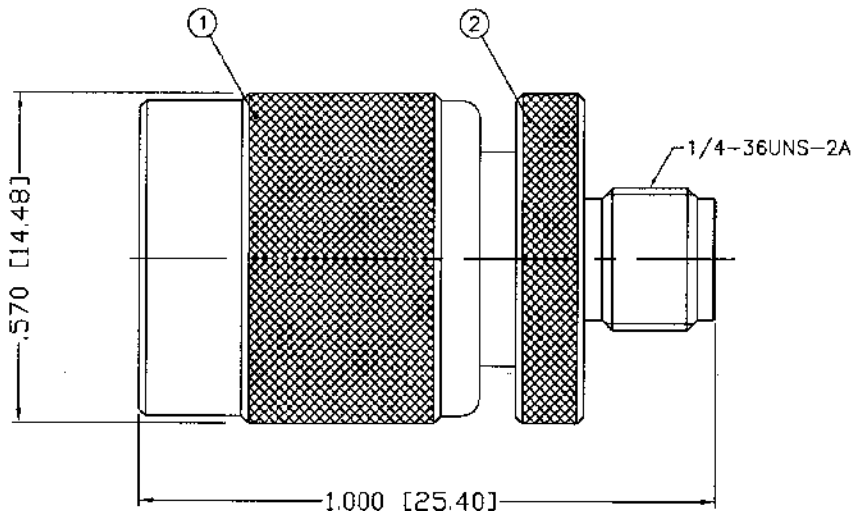


THIS DRAWING CONTAINS INFORMATION PROPRIETARY TO RF INDUSTRIES.
 ANY UNAUTHORIZED USE OF THIS DRAWING IS EXPRESSLY PROHIBITED
 WITHOUT WRITTEN PERMISSION FROM RF INDUSTRIES.
 ANY VIOLATION IS PUNISHABLE UNDER U.S. COPYRIGHT LAWS.

ALL DIMENSIONS ARE REFERENCE ONLY

PART NO.		RSA-3472		
REV	DESCRIPTION	DWN	DATE	APPROVED
-	ENGINEERING RELEASE	JDM	11/6/03	JDMc



SPECIFICATIONS:

IMPEDANCE: 50 Ohms
 INTERFACE: Per MIL-STD-348
 FREQUENCY RANGE: 0-11 GHz
 VSWR: < 1.10:1 0-7 GHz
 INSERTION LOSS: -0.1 dB Max 0-7 GHz
 WORKING VOLTAGE: 375 VRMS @ sea level
 TEMPERATURE RANGE: -65°C TO 85°C
 INSULATION RESISTANCE: 5k M Ohms min.
 RF LEAKAGE: N/A
 RF HIGH POTENTIAL: 1k VRMS @ 5~7.5 MHz
 CONNECTOR DURABILITY: 500 Cycles Min.
 CONNECTOR REPEATABILITY: IL < -0.1 dB

1	SHELL	1	BRASS	NICKEL, 100 μ"
2	BODY	1	BRASS	NICKEL, 100 μ"
3	INSULATOR	1	PTFE	WHITE
4	PIN/CONTACT	1	PHOS.B	GOLD, 3 μ"
5	GASKET	1	SIL. R.	NICKEL, 100 μ"
6	R-RING	1	BRASS	NICKEL, 100 μ"
7	BUSHING	1	DELTRIN	WHITE
8	WASHER	1	BRASS	NICKEL, 100 μ"
9				
10				
11				
12				
13				
14				
#	DESCRIPTION	QTY	MATRL	FINISH

008974	DRAWN	JDM	11/6/03
	CHECKED	<i>JDM</i>	11-6-03
	ORJ DRAWN	JDM	11/6/03
	APPROVALS	DATE	

UNLESS OTHERWISE SPECIFIED:
 1. REMOVE ALL BURRS
 2. BREAK ALL CORNERS & EDGES .005 R. MAX.
 3. CHAMFER 1ST & LAST THREADS 45°
 4. SURFACE ROUGHNESS 63 FINISH MIL-STD-10
 5. DIAMETERS ON COMMON CENTERS TO BE CONCENTRIC WITHIN .002 T.I.R.
 6. ALL DIMENSIONS ARE AFTER PLATING.

DIMENSIONS ARE IN INCHES AND [MILLIMETERS]
 UNLESS OTHERWISE NOTED TOLERANCES ARE:
 DECIMALS DIAMETER
 .XXX±.003 [.08] .XXX±.001 [.03]
 .XX±.005 [.13] .XX±.003 [.08]

7610 MIRAMAR RD
 SAN DIEGO, CA 92126
 (858) 549-6340
 (858) 549-6345 FAX

RF connectors
 DIVISION OF RF INDUSTRIES, LTD.

TNC PLUG TO SMA JACK

ADAPTER

SIZE	CABLE GROUP	DWG NO.	REV
A	N/A	RSA-3472	-

SCALE: NTS CAD FILE OUTLINE SHEET 1 OF 1