

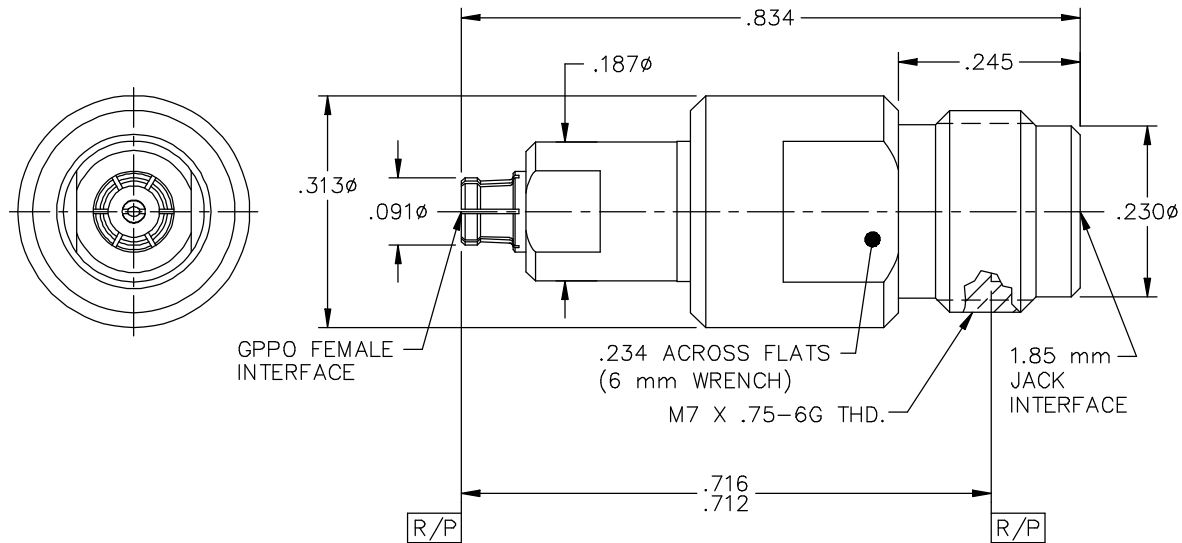
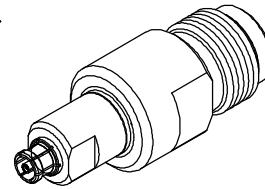
CATALOG NUMBER

1B1M1-0509-01

MATERIAL AND FINISH

CENTER CONTACT
AND HOUSINGS:
DIELECTRIC:

BeCu; GOLD PLATE 50-100 MICROINCHES
OVER NICKEL PLATE 50 MICROINCHES MIN.
VIRGIN PTFE



This drawing and any data contained herein is the property of Corning Gilbert Inc., and constitutes and contains proprietary and confidential information. Neither receipt nor possession of this drawing confers or transfers any right to duplicate, use or disclose any information contained herein except as expressly authorized by Corning Gilbert Inc.

GPPO FEMALE
TO 1.85 mm "V"
JACK ADAPTER

IDENT CODE:
82316

REVISION: D

Corning Gilbert Inc.

SOURCE FILE: SK-1745

DWG. NO.: OL-1B1M1-0509-01

ASSY. PROC.: -