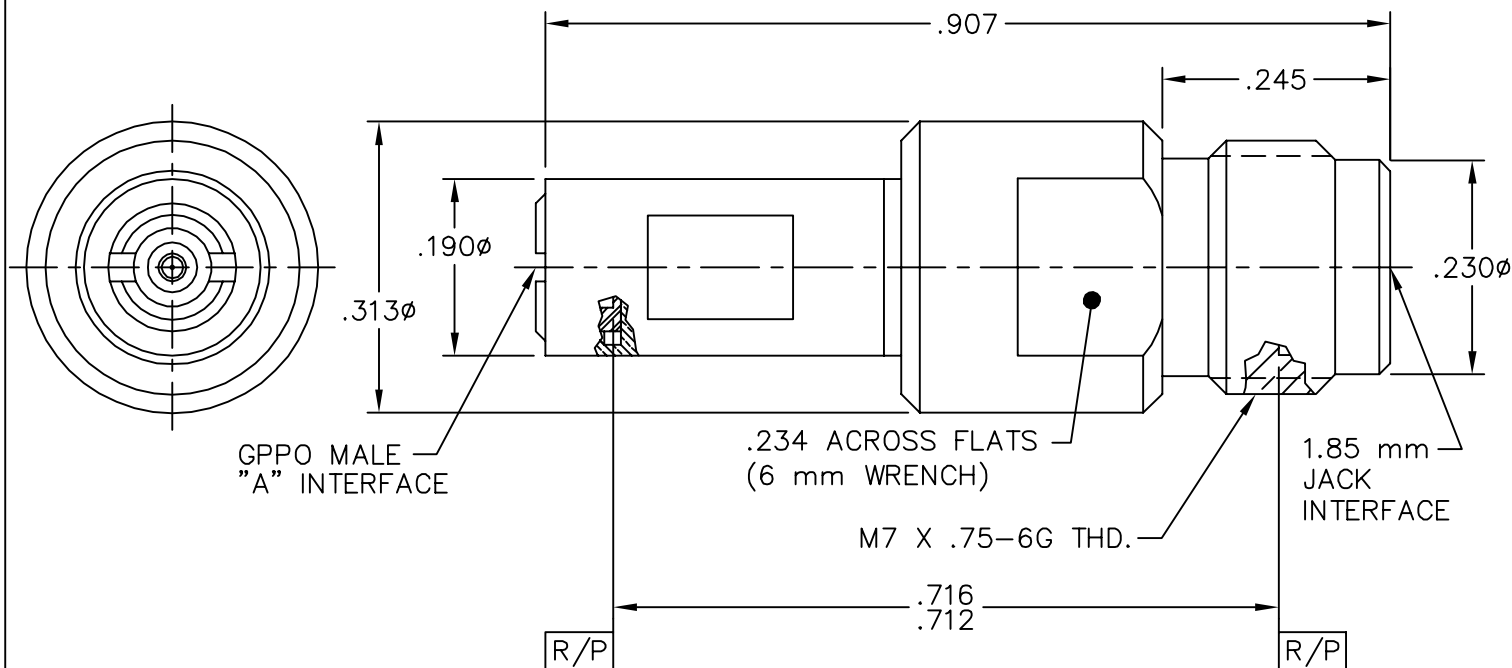
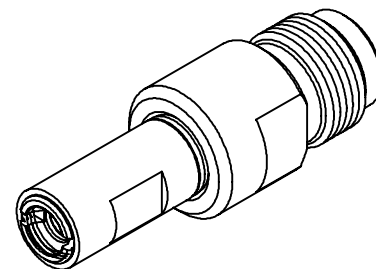


CATALOG NUMBER	"A" INTERFACE
1B3M1-0509-01	FULL DETENT
1B5M1-0509-01	SMOOTH BORE

MATERIAL AND FINISH

SHROUD: CRES 303; PASSIVATED
 CENTER CONTACT AND HOUSINGS: BeCu; GOLD PLATE 50-100 MICROINCHES OVER NICKEL PLATE 50 MICROINCHES MIN.
 DIELECTRICS: VIRGIN PTFE



This drawing and any data contained herein is the property of Corning Gilbert Inc., and constitutes and contains proprietary and confidential information. Neither receipt nor possession of this drawing confers or transfers any right to duplicate, use or disclose any information contained herein except as expressly authorized by Corning Gilbert Inc.

GPPO MALE TO
 1.85 mm "V" JACK
 ADAPTER (TAB DETENT)

IDENT CODE:

82316

REVISION: D

Corning Gilbert Inc.

SOURCE FILE: SK-1743-MF

DWG. NO.: OL-1BXM1-0509-01

ASSY. PROC.: -