

GPPO Between Series Adapters

GPPO Male to 1.85mm Jack

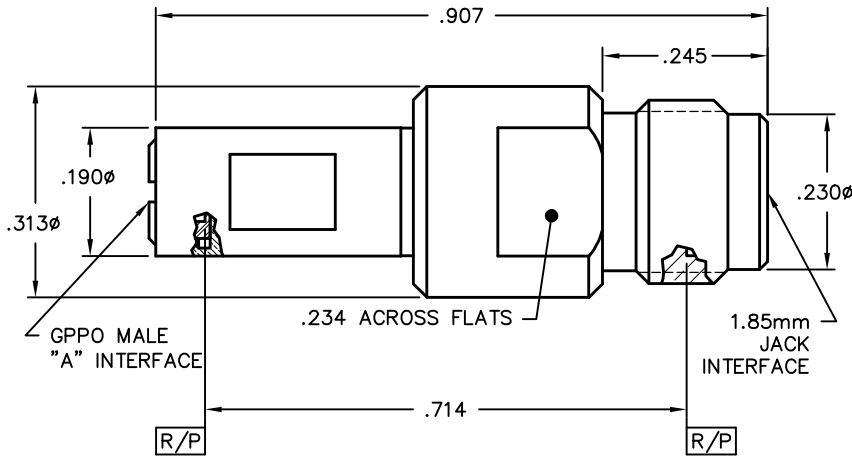
Catalog Number A

1B3M1-0509-01 FD

1B5M1-0509-01 SB

VSWR (TYP)

1.20:1 to 26.5 GHz, 1.40:1 to 50 GHz



GPPO Male to 1.85mm Plug

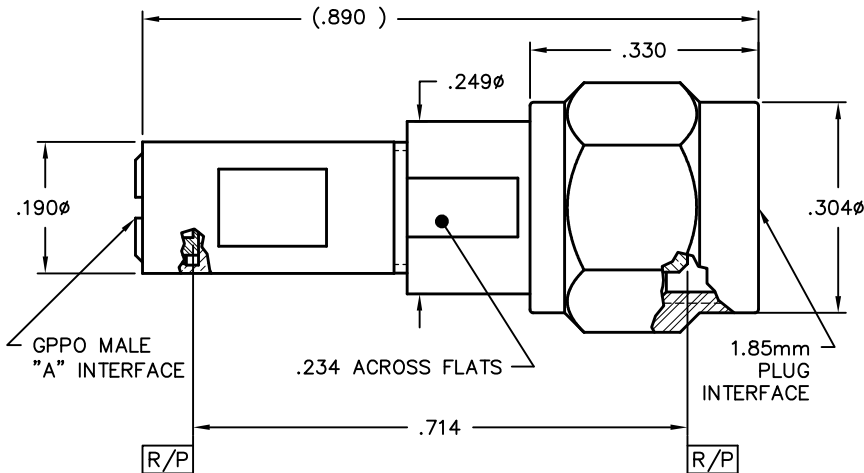
Catalog Number A

1B3M2-0509-01 FD

1B5M2-0509-01 SB

VSWR (TYP)

1.20:1 to 26.5 GHz, 1.40:1 to 50 GHz



G3PO Adapters

G3PO Male to 1.85mm Jack

Catalog Number A

1R3M1-0509-01 FD

1R5M1-0509-01 SB

VSWR (TYP)

1.20:1 to 26.5 GHz, 1.30:1 to 65 GHz

