

CATALOG NUMBER	"A" INTERFACE
----------------	---------------

1R3M2-0503-01

FULL DETENT

1R5M2-0503-01

SMOOTH BORE

## MATERIAL AND FINISH

G3PO HOUSING AND  
COUPLING NUT:

CRES 303; PASSIVATED

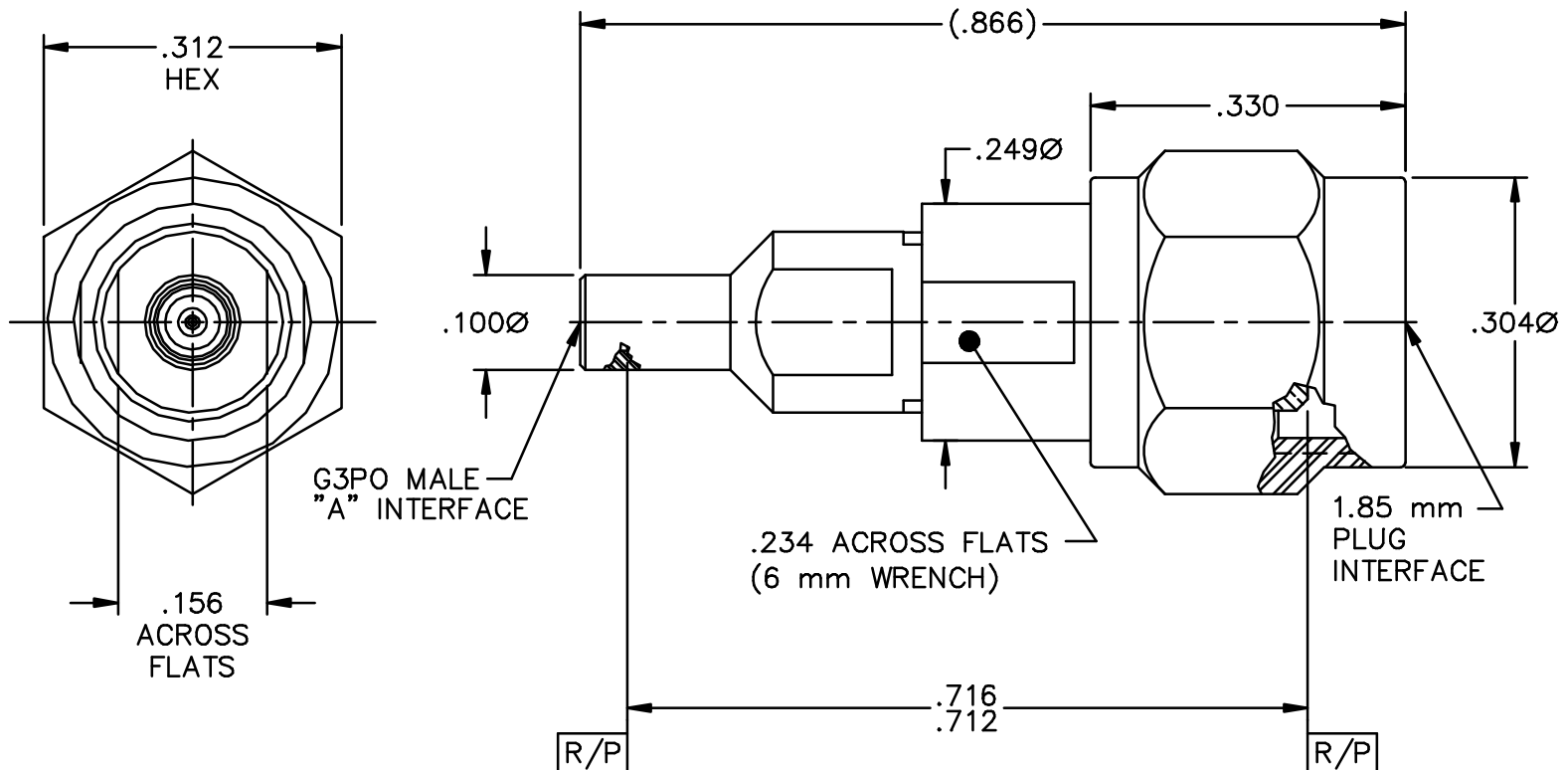
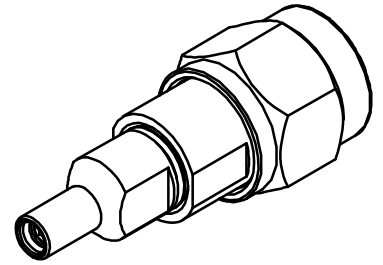
CENTER CONTACT AND  
1.85 mm HOUSING:BeCu; GOLD PLATE 50-100 MICORINCHES  
OVER NICKEL PLATE 50 MICROINCHES MIN.

RETAINING RING:

BeCu

DIELECTRICS:

VIRGIN PTFE



This drawing and any data contained herein is the property of Corning Gilbert Inc., and constitutes and contains proprietary and confidential information. Neither receipt nor possession of this drawing confers or transfers any right to duplicate, use or disclose any information contained herein except as expressly authorized by Corning Gilbert Inc.

G3PO MALE TO  
1.85 mm PLUG  
ADAPTER (TAB DETENT)

IDENT CODE:  
82316

REVISION: A

**Corning Gilbert Inc.**

SOURCE FILE: MECR# 2935

DWG. NO.: OL-1RXM2-0503-01

ASSY. PROC.: -