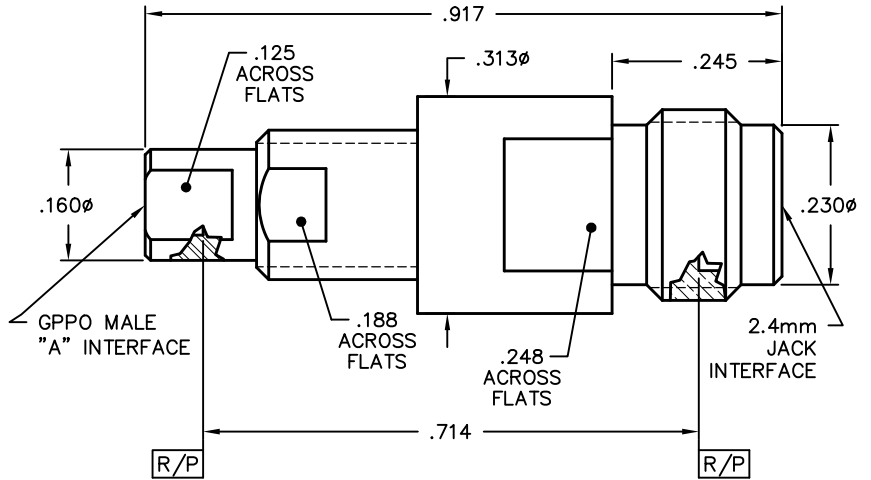


**GPPO Between Series Adapters**

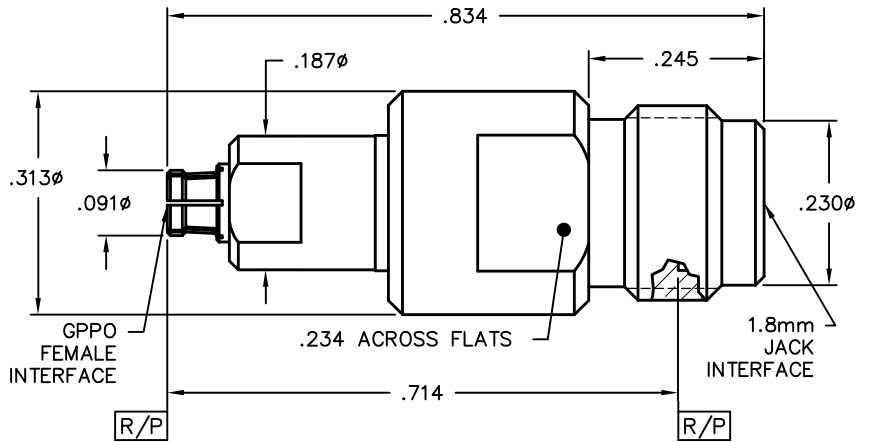
**GPPO Male to 2.4mm Jack**

**Catalog Number** A  
 1B3C1-0503-01 FD  
 1B5C1-0503-01 SB  
**VSWR (TYP)**  
 1.20:1 to 26.5 GHz, 1.30:1 to 40 GHz



**GPPO Female to 1.85mm Jack**

**Catalog Number**  
 1B1M1-0509-01  
**VSWR (TYP)**  
 1.20:1 to 26.5 GHz, 1.35:1 to 50 GHz



**GPPO Female to 1.85mm Plug**

**Catalog Number**  
 1B1M2-0509-01  
**VSWR (TYP)**  
 1.20:1 to 26.5 GHz, 1.40:1 to 50 GHz

