

GPO Between Series Adapters

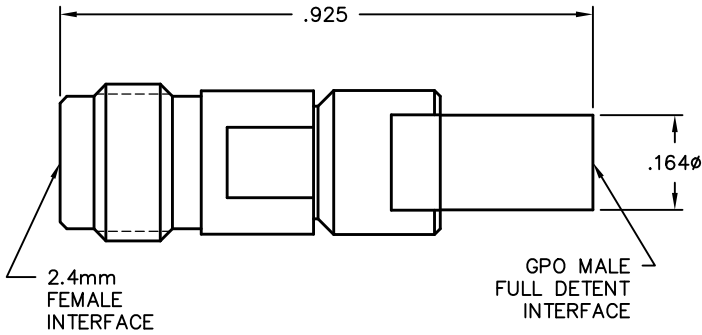
GPO Male FD to 2.4mm Jack

Catalog Number

1A3C1-0503-01

VSWR (TYP)

1.20:1 to 26.5 GHz



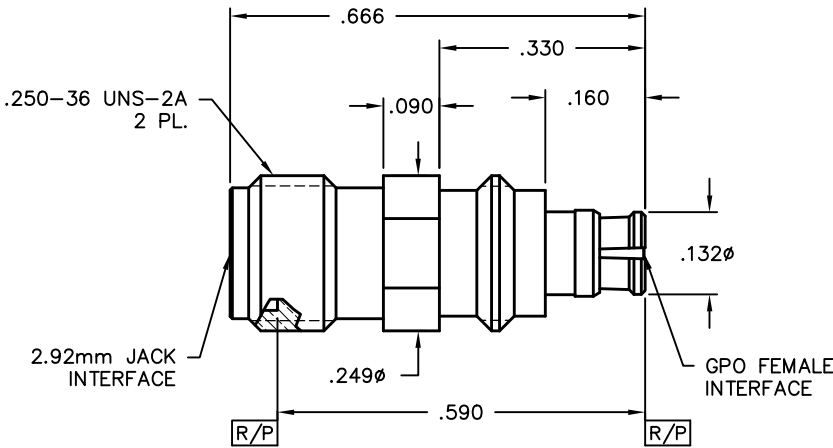
GPO Female to 2.92mm Jack

Catalog Number

1A1D1-0501-01

VSWR (TYP)

1.20 to 26.5 GHz



GPO Female to 2.92mm Plug

Catalog Number

1A1D2-0501-01

VSWR (TYP)

1.10:1 to 18 GHz, 1.25:1 to 26.5 GHz

