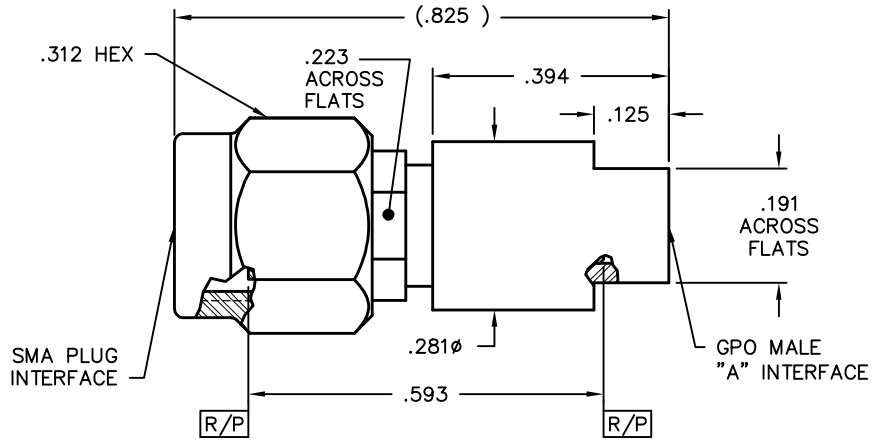


**GPO Between Series Adapters**

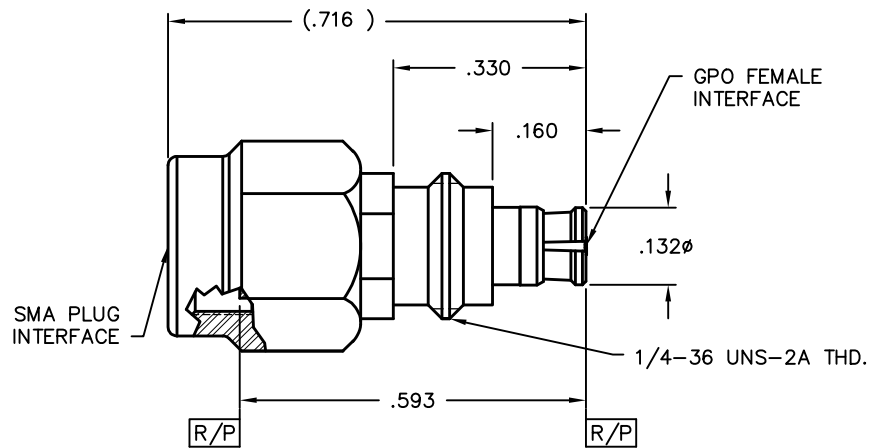
**GPO Male to SMA Plug**

<b>Catalog Number</b>	<b>A</b>
1A3F2-0503-01	FD
1A4F2-0503-01	LD
1A5F2-0503-01	SB
<b>VSWR (TYP)</b>	
1.15:1 to 18 GHz, 1.25:1 to 26.5 GHz	



**GPO Female to SMA Plug**

<b>Catalog Number</b>	
1A1F2-0503-01	
<b>VSWR (TYP)</b>	
1.15:1 to 18.GHz, 1.25:1 to 26.5 GHz	



**GPO Female to 2.4mm Plug**

<b>Catalog Number</b>	
1A1C2-0521-01	
<b>VSWR (TYP)</b>	
1.10:1 to 18 GHz, 1.20:1 to 26.5 GHz	

