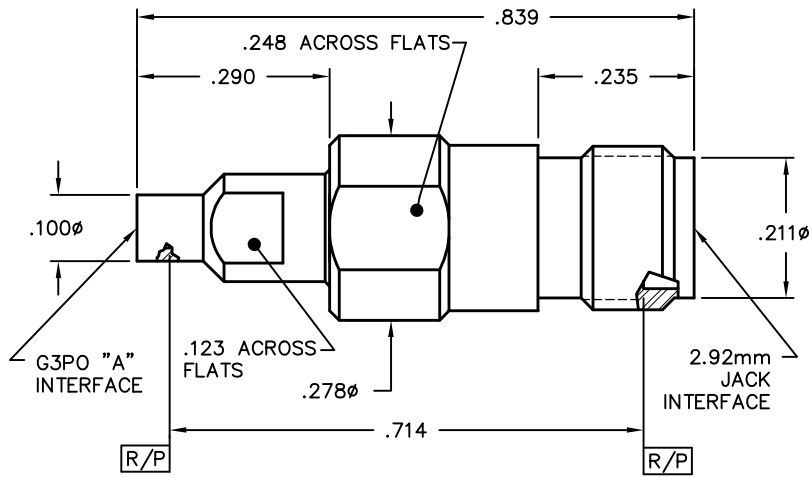


G3PO Adapters

G3PO Male to 2.9mm Jack Adapter



Catalog Number **A**

1R3D1-0503-01 FD

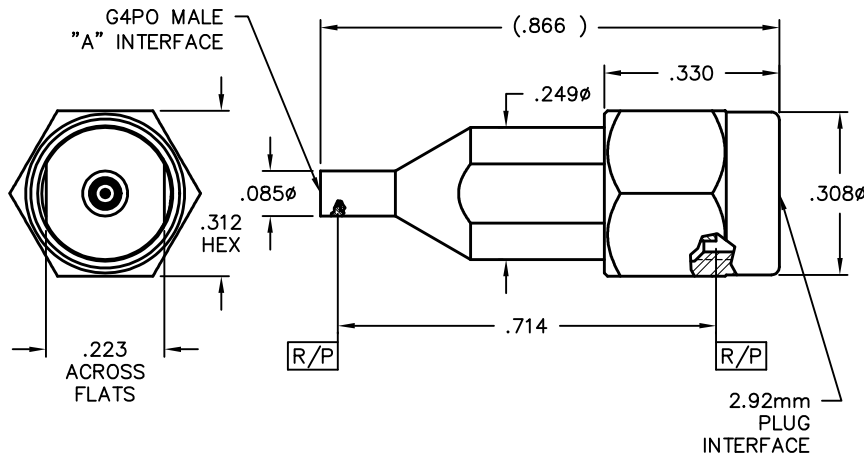
1R5D1-0503-01 SB

VSWR (TYP)

1.15:1 TO 26.5 GHz, 1.35:1 TO 40 GHz

G4PO Adapters

G4PO Male to 2.92mm Plug Adapter



Catalog Number **A**

1S3D2-0503-01 FD

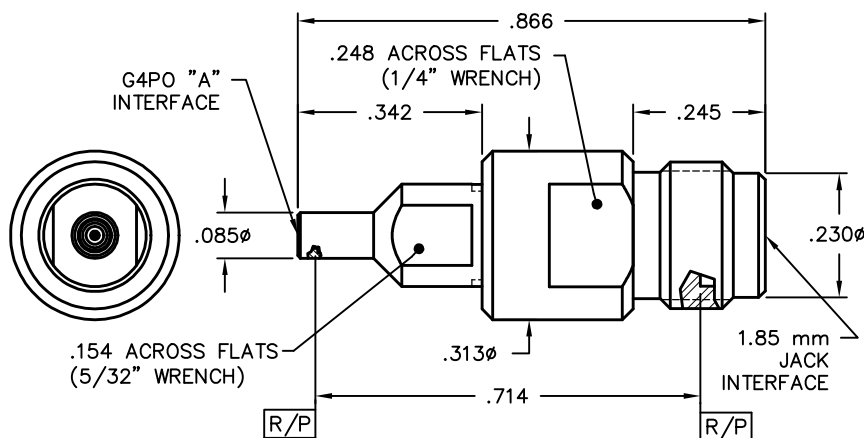
1S5D2-0503-01 SB

VSWR (TYP)

1.15:1 to 26.5 GHz, 1.35:1 to 40 GHz



G4PO Male to 1.85mm Jack Adapter



Catalog Number **A**

1S3M1-0503-01 FD

1S5M1-0503-01 SB

VSWR (TYP)

1.15:1 TO 26.5 GHz, 1.35:1 TO 40 GHz

