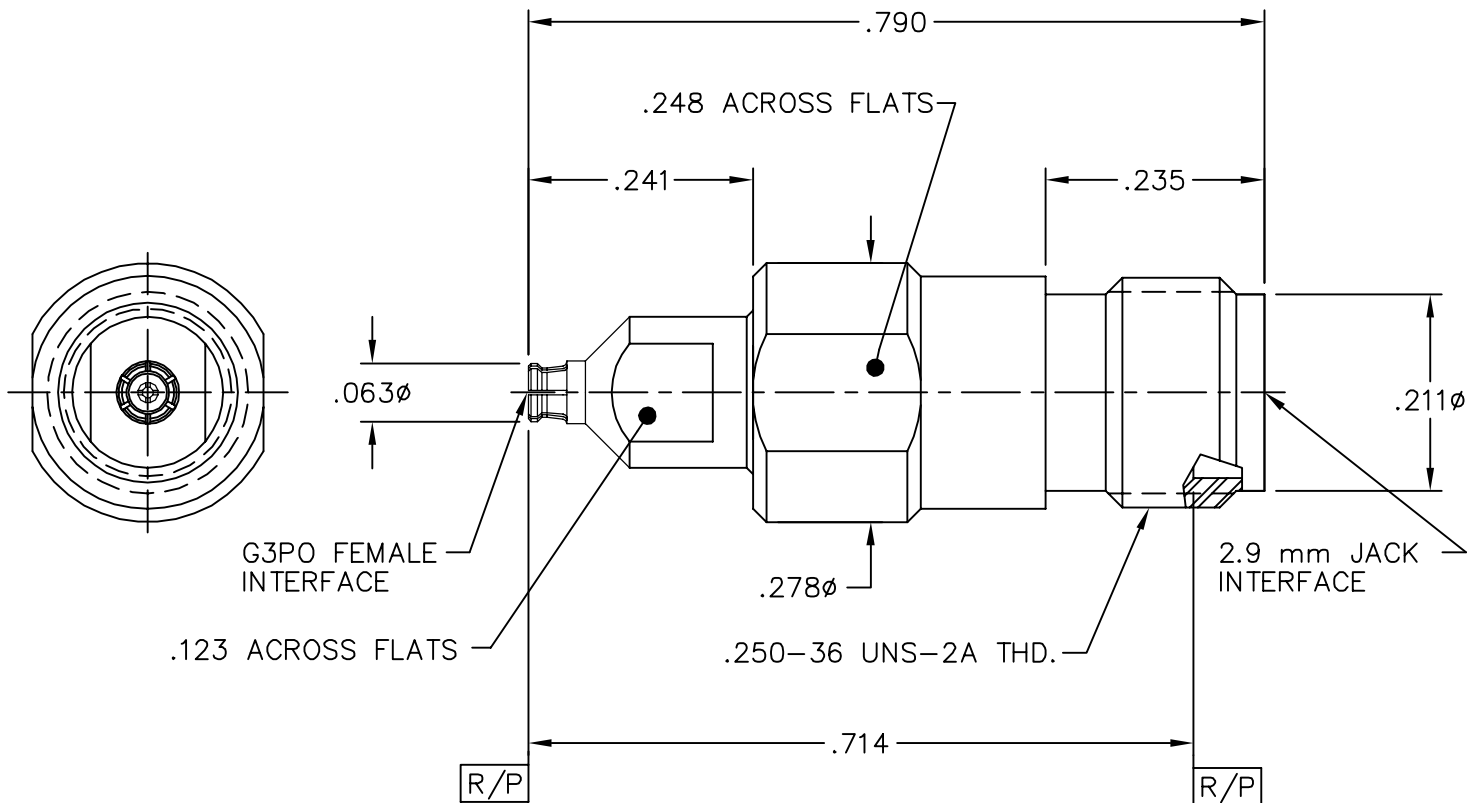


PROTOTYPE NUMBER

SK-4427

MATERIAL AND FINISH

2.9 mm HOUSING: CRES 303; PASSIVATED
G3PO HOUSING AND CENTER CONTACT: BeCu; GOLD PLATE 75 MICRO INCHES TYPICAL OVER NICKEL PLATE 100 MICRO INCHES TYPICAL.
DIELECTRICS: VIRGIN PTFE



This drawing and any data contained herein is the property of Corning Gilbert Inc., and constitutes and contains proprietary and confidential information. Neither receipt nor possession of this drawing confers or transfers any right to duplicate, use or disclose any information contained herein except as expressly authorized by Corning Gilbert Inc.

G3PO FEMALE TO 2.9 mm
JACK ADAPTER

IDENT CODE:
82316

REVISION: 01

Corning Gilbert Inc.

SOURCE FILE: SK-4427

DWG. NO.:

OL-SK-4427

ASSY. PROC.:

—