

CATALOG NUMBER	"A" INTERFACE
1B3D1-0503-01	FULL DETENT
1B5D1-0503-01	SMOOTH BORE

## MATERIAL AND FINISH

GPPO HOUSING AND  
2.9 mm HOUSING:

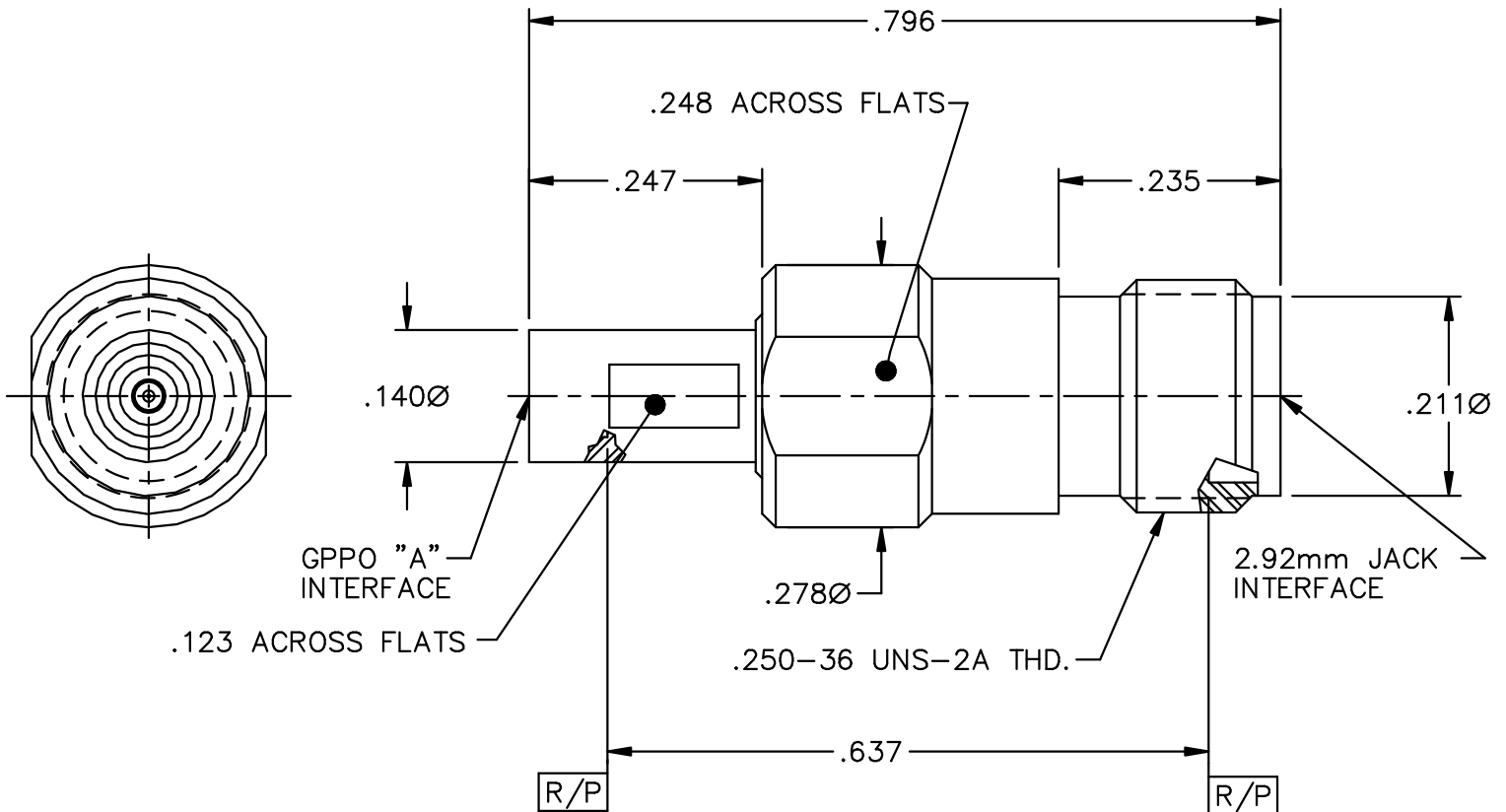
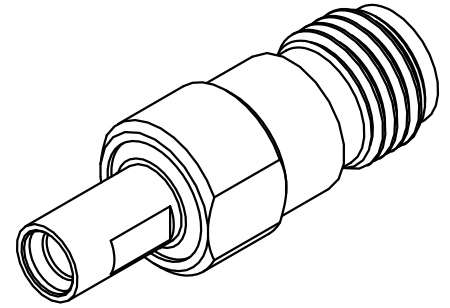
CRES 303; PASSIVATED

CENTER CONTACT:

BeCu; GOLD PLATE 50-100 MICRONS  
OVER NICKEL PLATE 50 MICRONS MIN.

DIELECTRICS:

VIRGIN PTFE



This drawing and any data contained herein is the property of Corning Gilbert Inc., and constitutes and contains proprietary and confidential information. Neither receipt nor possession of this drawing confers or transfers any right to duplicate, use or disclose any information contained herein except as expressly authorized by Corning Gilbert Inc.

GPPO MALE TO 2.92 mm  
JACK ADAPTER  
(TAB DETENT)

IDENT CODE:  
82316

REVISION: A

**Corning Gilbert Inc.**

SOURCE FILE: MECR# 2922

DWG. NO.: OL-1BXD1-0503-01

ASSY. PROC.: -