

NOTES:

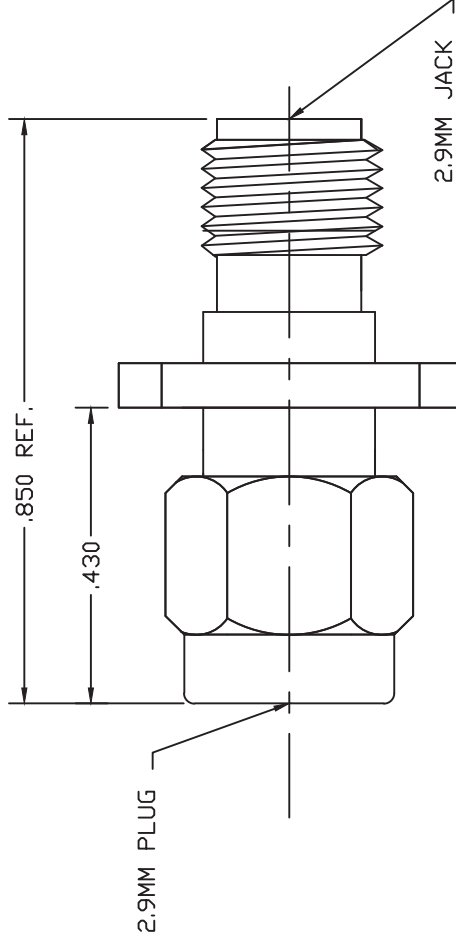
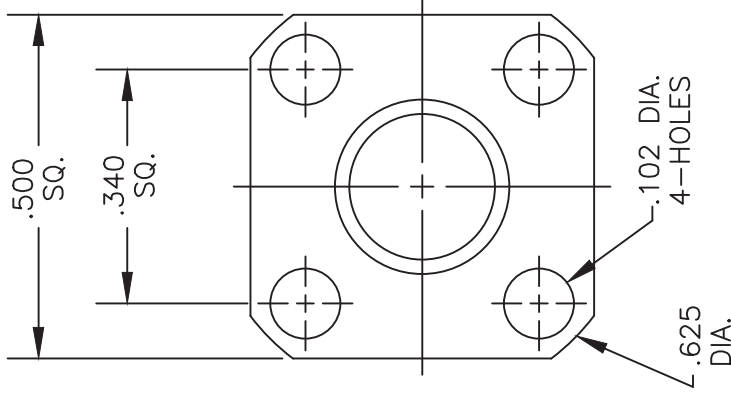
Materials: SST, corrosion-resistant, Non Magnetic 303, per ASTM A484 and A582. Beryllium Copper per ASTM-B-196, QQ-C-530 Oxide-Noryl (tm), MIL-P-46129

Finish: Center Conductors and solder components shall be plated per MIL-G-45204 Type II, Class 1 over Nickel plate per QQ-N-290. Body and Body components shall be passivated per ASTM A380.

Frequency: DC-40 GHz
VSWR: 1.25 MAX. $V_{SWR} = \frac{1}{.05\sqrt{\text{Frequency}}}$

Insertion Loss:

24-925-3100-90



LTR	DESCRIPTION	DATE	APPR.	DRAWN	CHECKED	USED ON	SHEET	DWG. NO.
-	REL	7/05		SM		24-925-3100-90	1	24-925-3100-90
				APPR.	SCALE	MATERIAL		
				UNLESS OTHERWISE SPECIFIED: 1. REMOVE ALL BURRS 2. BREAK ALL CORNERS & EDGES .005 R. MAX 3. CHAMFER 1st & LAST THREADS 45° 4. SURFACE FINISHED 32/ UNLESS OTHERWISE SPECIFIED. 5. DIAMETERS ON COMMON CENTERS TO BE CONCENTRIC WITHIN .002 T.I.R. 6. ALL DIMENSIONS ARE AFTER PLATING.				
				DIMENSIONS ARE IN INCHES TOLERANCES DECIMALS ±.030 FRACTIONAL ± 1/64 ANGULAR X° ±10' X'X' ±15'				
				SIZE	FSCM NO.			
			A		OHMO1			
						TITLE		
						2.9MM JACK TO 2.9MM PLUG (4) HOLE FLANGE		
						SRI CONNECTOR GAGE CO. 751 NORTH DRIVE MELBOURNE FL. 32934		