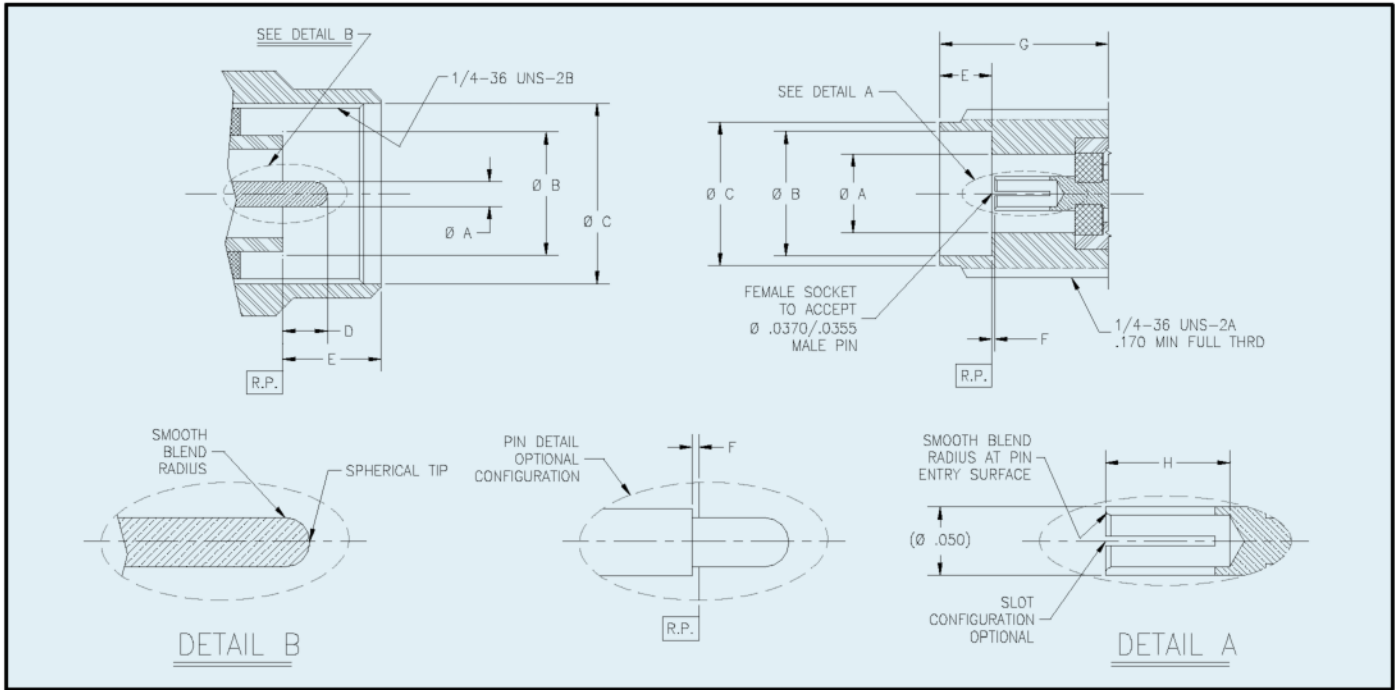


SMK 2.92mm Series



SMK 2.92mm

SMK 2.92mm Interface Mating Dimensions (Per MIL-STD-348)



MALE

LTR	Minimum		Maximum	
	in	mm ²	in	mm ²
Ø A	.0355	0.90	.037	0.94
Ø B	.1178	4.52	.180	4.57
Ø C	.255	6.48	.000	0.00
Ø D	.055	1.40	.065	1.65
E	----	----	.135	3.43
F ³	0.00	0.00	.005	0.13

FEMALE

LTR	Minimum		Maximum	
	in	mm ²	in	mm ²
Ø A	.114	2.90	.116	2.95
Ø B	.181	4.60	.183	4.65
Ø C	.206	5.23	.214	5.44
Ø D	.0355	0.90	.037	0.94
E	.074	1.88	.078	1.98
F ³	.000	0.00	.005	.013
G	.218	5.54	----	----
H	.105	2.67	----	----

Note(s):

1. Dimensions are in inches.
2. Metric equivalents (to the nearest 0.01mm) are given for general information only and are based on 1 inch = 25.4 millimeters.
3. Contact gap is measured from connector body reference plane .000 in. max. above (flush) to .005 in. max. below.

SMK 2.92mm Interface Dimensions

SMK 2.92mm Specifications

The specifications below are general specifications for all SMK connectors. Specific specifications for VSWR, insertion loss, and RF leakage for each connector is available from

the factory upon request. Specifications in the following table are recommended for any procurement documents or drawings.

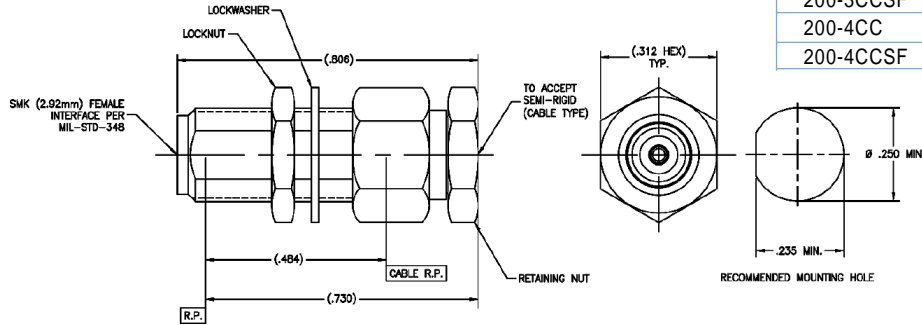
Requirement	Specifications
General	
Material	Steel corrosion resistant per ASTM A-582, 300 Series, AMS 5567, AMS 5370, AMS 5511 Brass Alloy per ASTM B-16 Beryllium copper per ASTM B-196 or B-197 PPO™ (Polyphenolic Oxide) Silicone Rubber per ZZ-R-765, CLASS IIB. 50-60 Shore.
Finish	Center contacts shall be gold plated to a minimum thickness of .00005-inch in accordance with ASTM B-488, Type II, Code C over nickel underplate. All other metal parts shall be finished so as to provide a connector which meets the corrosion requirements of this table.
Design	The design shall be such that the outline dimensions in this catalog are met. In addition, the assembled connector shall meet the interface dimensions. Dimensions are reference only unless stated.
Electrical	
Frequency	DC – 40GHz
Voltage Standing Wave Ratio (VSWR)	Refer to applicable military slash sheet or consult factory.
RF Leakage	Refer to applicable military slash sheet or consult factory.
Insertion Loss	Refer to applicable military slash sheet or consult factory.
Mechanical	
Force to Engage and Disengage	The torque required to engage and disengage shall not exceed 2 inch-pounds. The longitudinal force is not applicable.
Coupling Nut Retention Force	60 lbs. minimum. Applicable to male connectors only.
Coupling Proof Torque	15 in.-lbs. minimum. Applicable to male connectors only.
Cable Retention Force	Refer to applicable military slash sheet or consult factory.
Mating Characteristics	See interface dimensions shown. Applicable to females only: oversize pin .0375 +.0001/-.0000 diameter .030/.045 deep; Insertion force 2 lbs. maximum with .0370 +.0001/-.0000 diameter pin; withdrawal force 1 oz. minimum with .0355 maximum diameter pin.
Connector Durability	The connector to be tested and its mating connector shall be subjected to 500 insertion and withdrawal cycles at 12 cycles per minute max. The connector shall show no evidence of mechanical failure and the connector shall meet the mating characteristic requirements.
Recommended Mating Torque	8-10 inch-pounds.
Environmental	
Vibration	Specification MIL-STD-202, Method 204, Test Condition D.
Shock	Specification MIL-STD-202, Method 213, Test Condition I.
Thermal Shock	Refer to applicable military slash sheet or consult factory.
Corrosion (Salt Spray)	Specification MIL-STD-202, Method 101, Test Condition B.
Moisture Resistance	Specification MIL-STD-202, Method 106. No measurement at high humidity. Insulation resistance shall be 200 megaohms min. within 5 minutes after removal from humidity.

Complete specifications on every connector in this catalog are available from the factory.

SMK 2.92mm Cable Connectors Semi-Rigid/Semi-Flex

200-1CC

SMK 2.92mm female bulkhead straight to Semi-Rigid cable

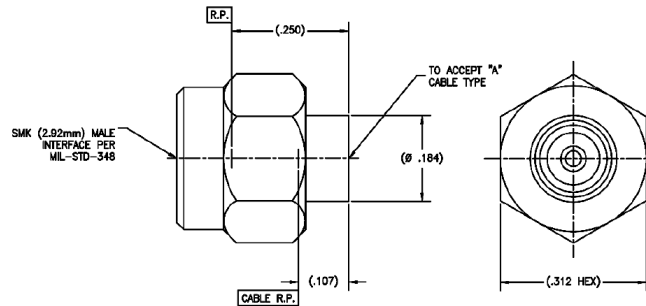


Tensolite Part No.	Cable type
200-1CC	.141
200-1CCSF	.141
200-2CC	.085
200-2CCSF	.085
200-3CCSF	.141
200-4CC	.118
200-4CCSF	.118

Center conductor is captivated.
Standard finish is passivated.

201-1CC

SMK (2.92mm) male straight to semi-retractable coupling nut



Tensolite Part No.	Cable type
201-1CC	.141 Semi-rigid cable
201-1CCSF	.141 Semi-rigid cable
200-2CC	.085 Semi-Rigid
200-2CCSF	.085 Semi-Rigid
200-3CC	.141 Low loss cable
200-3CCSF	.141 Low loss cable
200-4CC	.116 Low loss cable
200-4CCSF	.116 Low loss cable

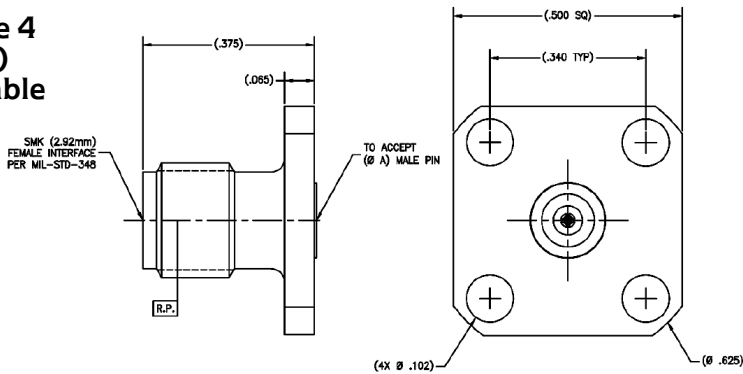
Center conductor is captivated.
Standard finish is passivated.

SMK 2.92mm Cable Connectors, Semi-Rigid/Semi-Flex

SMK 2.92mm Field Replacable Connectors

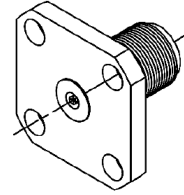
230CC

SMK 2.92mm female 4 hole flange (.500 SQ) mount field replaceable



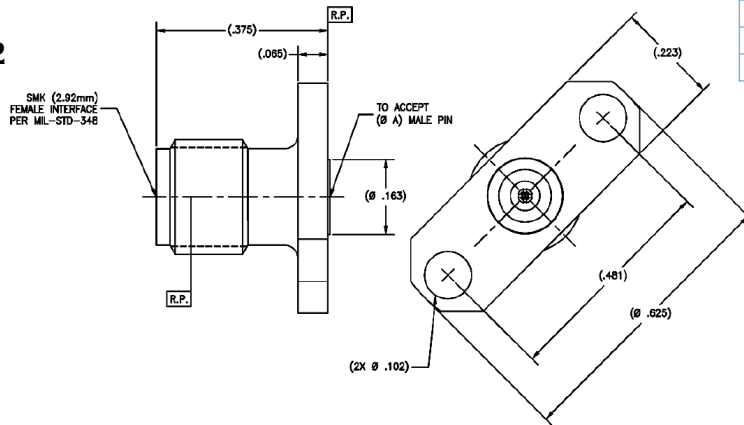
Tensolite Part No.	(Ø A)
230CC	.0120
230CCSF	.0120

Center conductor is captivated.
Standard finish is passivated.



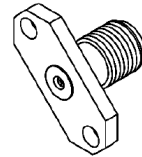
231CC

SMK 2.92mm female 2 hole flange (.223 X .625) mount straight field replaceable



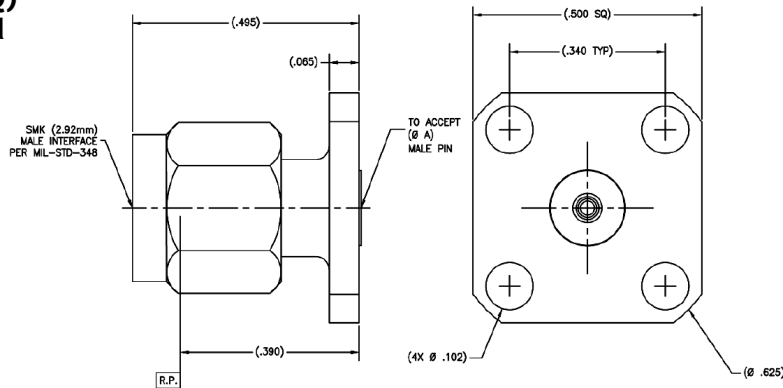
Tensolite Part No.	(Ø A)
231CC	.0120
231CCSF	.0120

Center conductor is captivated.
Standard finish is passivated.



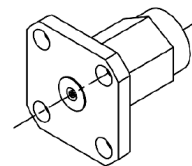
229CC

SMK 2.92mm male 4 hole flange (.500 SQ) mount straight field replaceable



Tensolite Part No.	(Ø A)
229CC	.0120
229CCSF	.0120

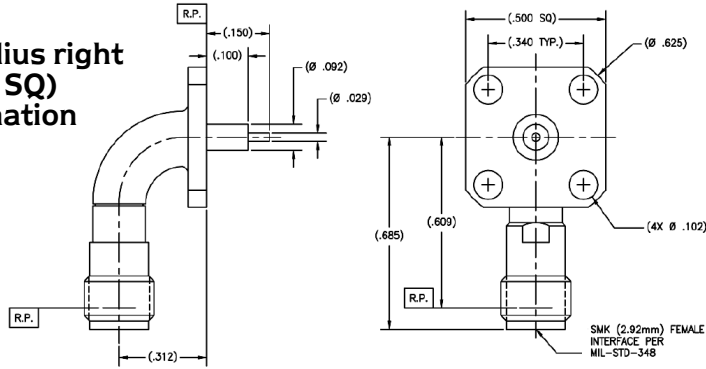
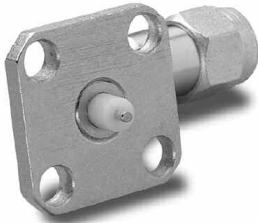
Center conductor is captivated.
Standard finish is passivated.



SMK 2.92mm Flange Mount

227CC

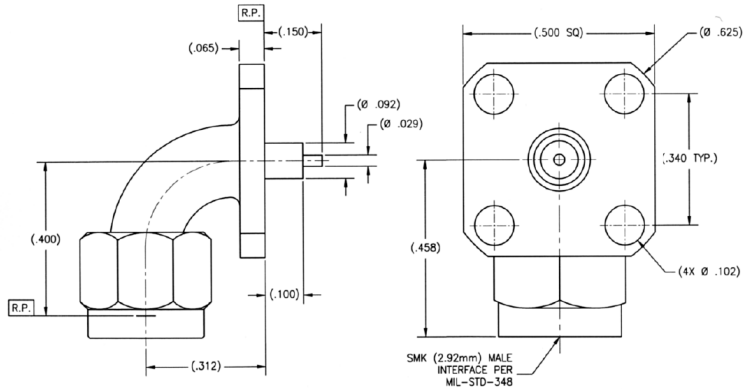
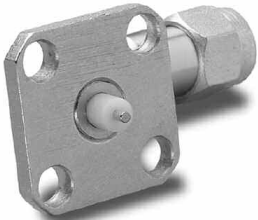
SMK 2.92mm female radius right angle 4 hole flange (.500 SQ) mount to straight termination



Center conductor is captivated.
Standard units are gold finish.

228CC

SMK 2.92mm male radius right angle 4 hole flange (.500 SQ) mount to straight termination

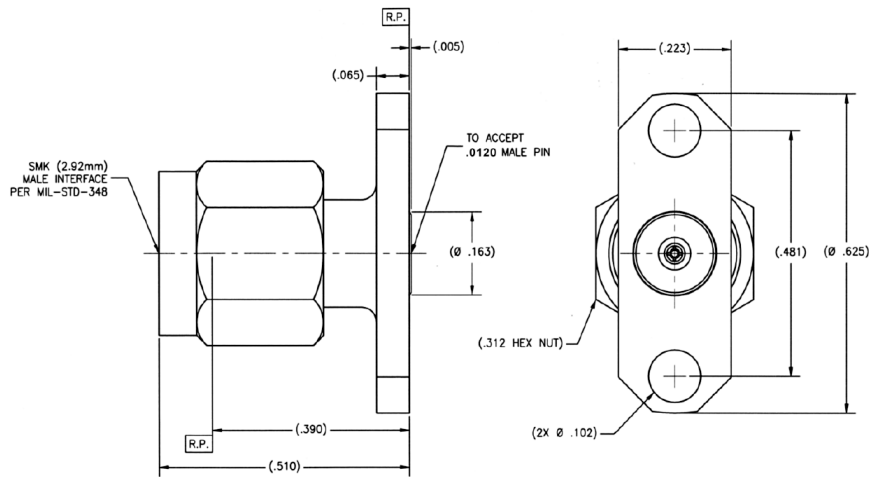


Center conductor is captivated.
Standard units are gold finish.

SMK 2.92mm Panel Mount Connectors

219CC

Male 2 hole flange mount, field replaceable

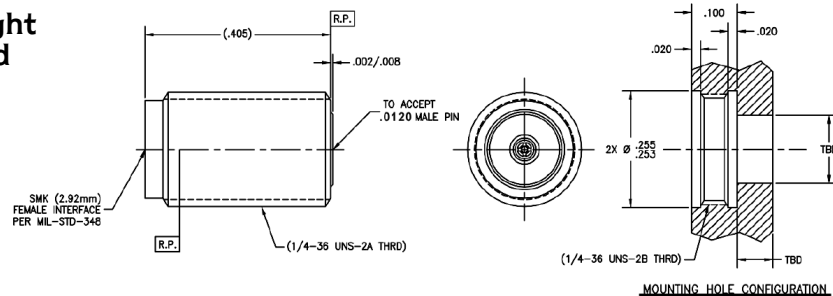


Center conductor is captivated.
Standard units are gold finish.

SMK 2.92mm Spark Plug

240CC

SMK 2.92mm female straight bulkhead feedthrough, field replaceable



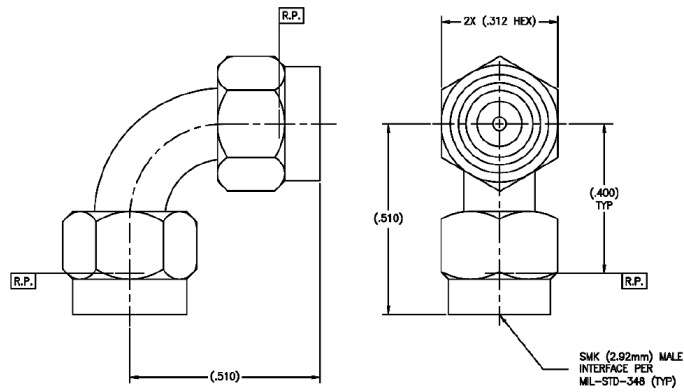
Center conductor is captivated.
Standard units are gold finish.

SMK 2.92mm Flange Mount, Panel Mount Connectors & Spark Plug

SMK 2.92mm In-series adapters

220CC

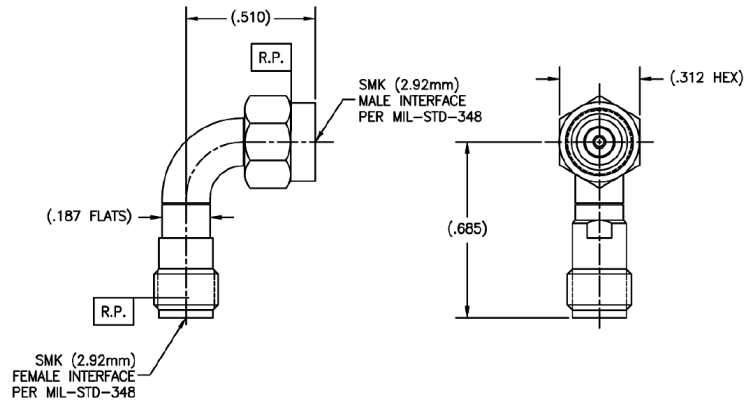
Right Angle, MA/MA In-Series Adapter



Center conductor is captivated.
Standard units are gold finish.

221CC

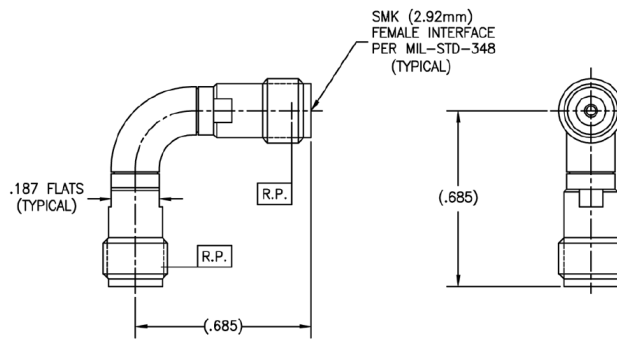
Right Angle, FE/MA In-Series Adapter



Center conductor is captivated.
Standard units are gold finish.

222CC

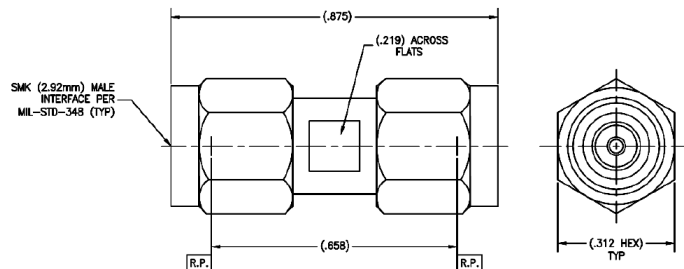
Right Angle, FE/FE In-Series Adapter



Center conductor is captivated.
Standard units are gold finish.

223CC

Straight MA/MA In-Series Adapter



Center conductor is captivated.
Standard units are gold finish.

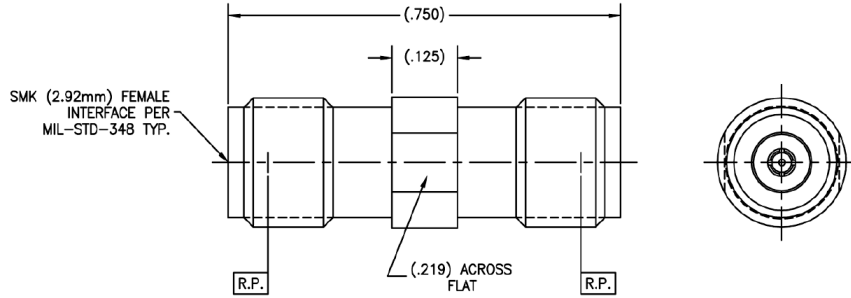
SMK 2.92mm In-Series Adapters

SMK 2.92mm Straight adapters

Center conductor is captivated.
Standard units are gold finish.

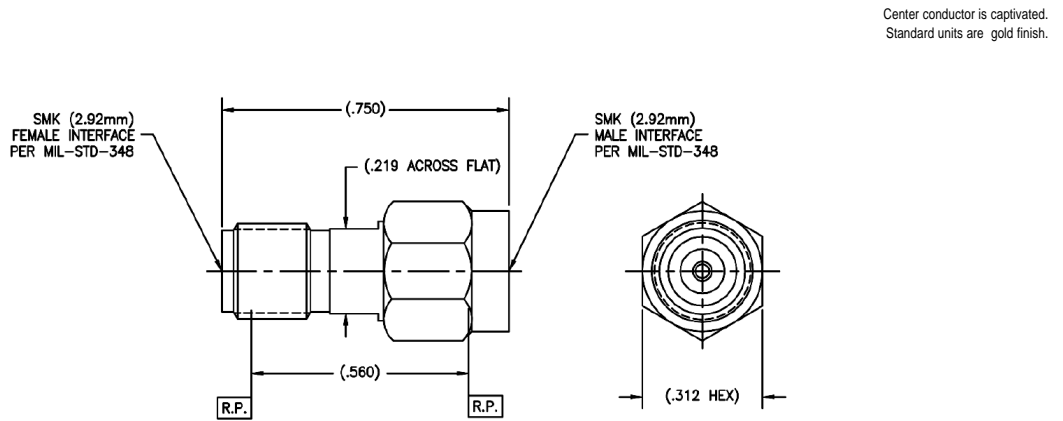
224 CC

SMK 2.92mm female to female straight adapter



225 CC

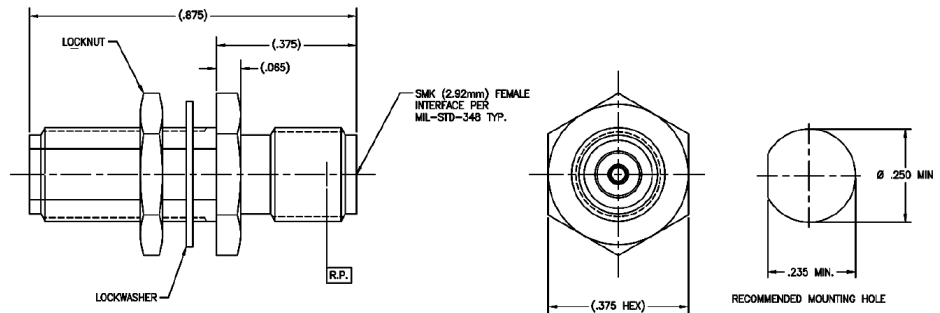
SMK 2.92mm female to male straight adapter



Center conductor is captivated.
Standard units are gold finish.

226 CC

SMK 2.92mm female to female bulkhead straight adapter



Center conductor is captivated.
Standard units are gold finish.