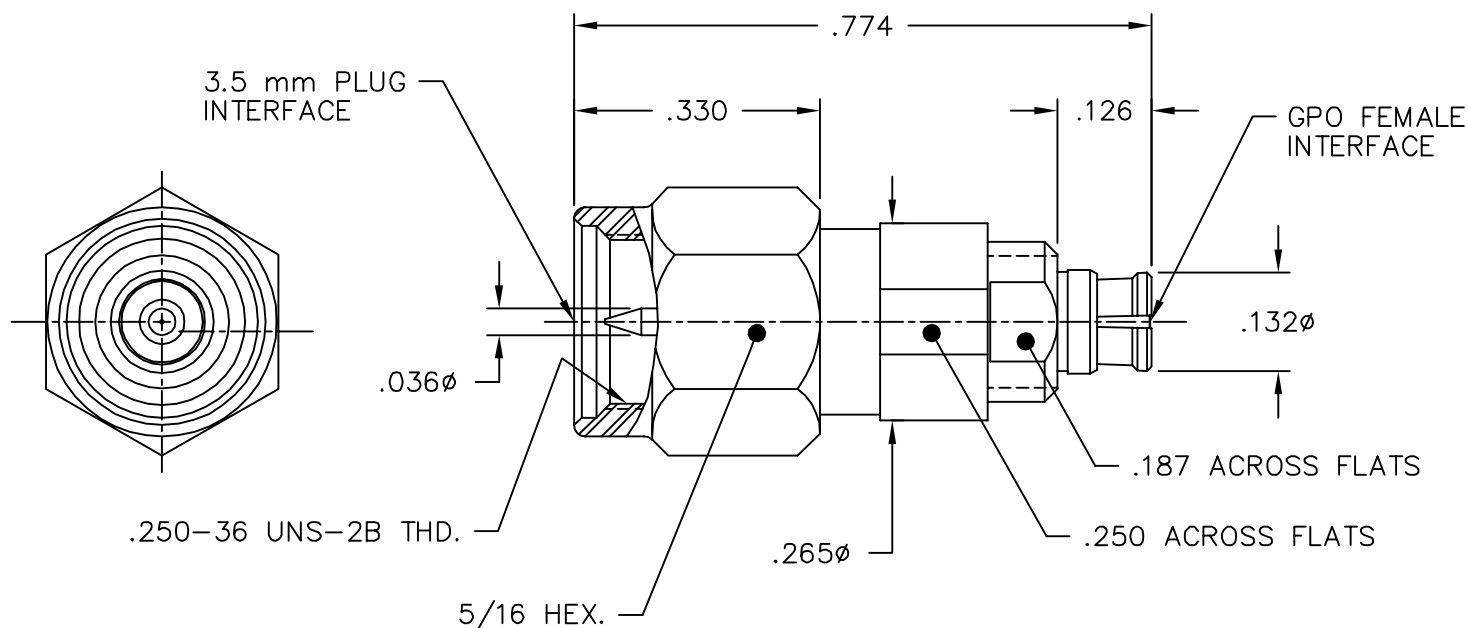
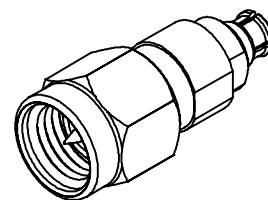


CATALOG NUMBER

03501-210-1

MATERIAL AND FINISH

COUPLING NUT: CRES 303; PASSIVATED
 GPO FEMALE HEAD, BeCu; GOLD PLATE 50-100 MICRONS
 3.5 mm PLUG HEAD, OVER NICKEL PLATE 50 MICRONS MIN.
 ANTI-ROCK RING, AND CONTACT:
 RETAINING RING: BeCu
 DIELECTRIC: VIRGIN PTFE (TEFLON)



GPO FEMALE
 TO 3.5 mm
 PLUG ADAPTER

IDENT CODE:

82316

REVISION: B

Corning Gilbert Inc.

SOURCE FILE: SK-0969

DWG. NO.: OL-03501-210-1

ASSY. PROC.: -