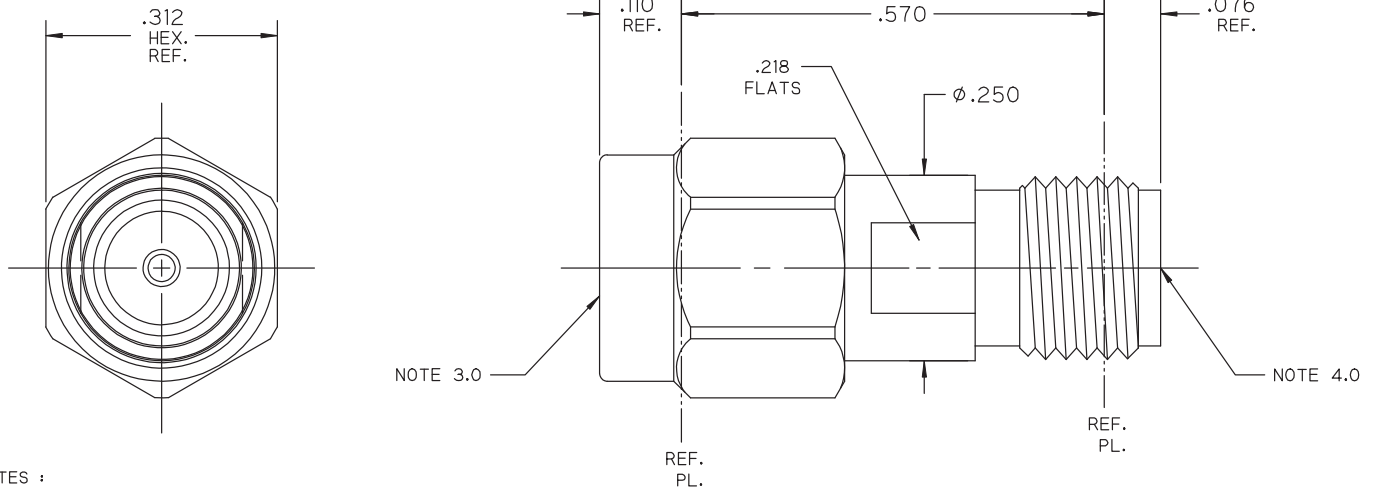


\*\*\*\*\* THIS DRAWING AND ITS CONTENTS ARE THE SOLE PROPERTY OF PRECISION CONNECTOR INC. AND ARE SUBJECT TO CHANGE WITHOUT NOTICE UNLESS OTHERWISE SPECIFIED \*\*\*\*\*

REV.	DESCRIPTION	DATE	BY	APPVD
A	INITIAL RELEASE	12/06/10	RDE	MJK
B	ADDED ELECTRICAL SPECIFICATIONS	03/14/11	MJK	MJK

NOTE : THIS ADAPTER IS PHASE MATCHED WITH SERIES ADAPTERS 2242, 2243 AND 2244



NOTES :

1.0 MATERIALS:

- 1.1 BODY, BUSHING & COUPLING NUT: STEEL, CORROSION RESISTANT PER ASTM-A582, UNS NO. S30300.
- 1.2 CENTER COND.: BERYLLIUM COPPER PER ASTM-B196, UNS C17300.
- 1.3 LOCK RING: BERYLLIUM COPPER PER ASTM-B197, UNS C17200.
- 1.4 GASKET: SILICONE RUBBER PER A-A-59588.
- 1.5 INSULATOR: PTFE FLUOROCARBON PER ASTM-D1710.
- 1.6 DIELECTRIC BEAD: POLYETHERIMIDE THERMOPLASTIC (ULTEM 1000) PER ASTM-D5205.

2.0 FINISHES:

- 2.1 CENTER CONTACT: GOLD PLATE PER ASTM-B488, 50 MICROINCHES MIN. THK. OVER ELECTROLYTIC NICKEL PLATE PER ASTM-B689 50 MICROINCHES MIN. THK.
- 2.2 BODY, BUSHING & COUPLING NUT: PASSIVATE PER SAE-AMS-2700.
- 2.3 GASKET, LOCK RING & DIELECTRIC(S): NONE.
- 3.0 2.92mm PIN INTERFACE PER PCI-2.92mm-PIN.
- 4.0 SMA JACK INTERFACE PER PCI-SMAJ (MEETS MIL-STD-348, FIGURE 310-2).

IMPEDANCE : 50 OHMS NOM.  
 FREQ. RANGE : DC TO 26.5 GHz  
 VSWR : 1.20:1 MAX.  
 I.L. : 0.25 dB MAX.  
 DWV : 750 Vrms  
 TEMP. RATING : -55°C TO +150°C

**PCI**  
 Precision Connector, Inc.

TOLERANCES UNLESS OTHERWISE SPECIFIED	DRAWN BY: RDE	PART DESCRIPTION:			
	DATE: 12/06/10	ADAPTER, 2.92mm PLUG TO SMA JACK			
.XX ± .02	CAGE CODE	SCALE	SHEET NO.	DRAWING NUMBER	REV
.XXX ± .005	<b>4MJR5</b>	5:1	1 OF 1	2245-OL	B
.XXXX ± .0005					
ANGLES ± 2°					