

ENVELOPE / ASSEMBLY DRAWING

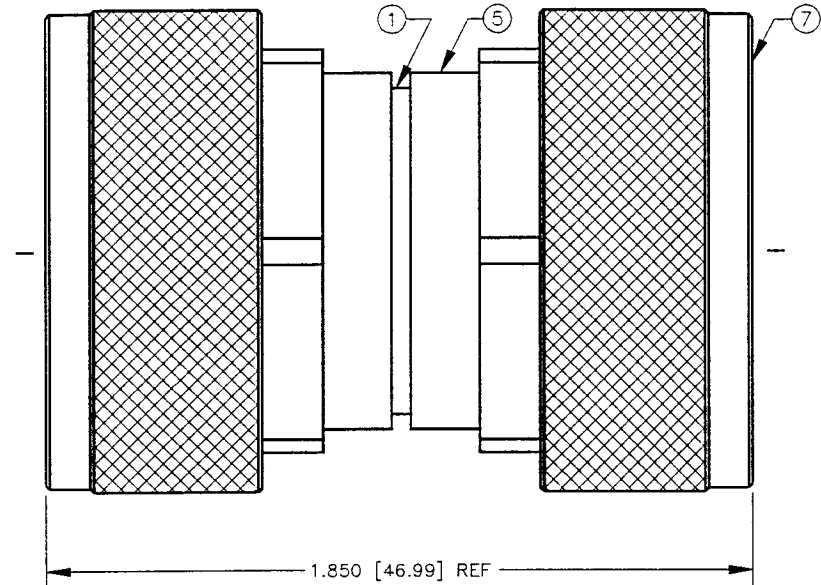
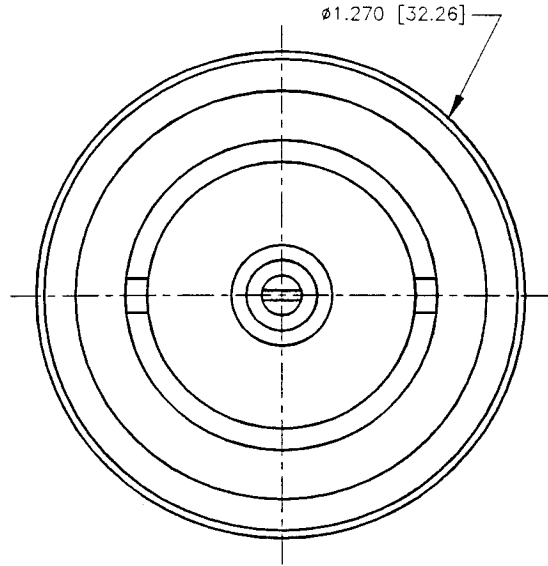
000000

SPECIFICATION CONTROL DRAWING

THIS DRAWING CONTAINS INFORMATION PROPRIETARY TO RF INDUSTRIES, LTD. ANY UNAUTHORIZED USE OF THIS DRAWING IS EXPRESSLY PROHIBITED. ANY VIOLATION IS PUNISHABLE UNDER U.S. COPYRIGHT LAWS.

REV	DESCRIPTION	DWN	DATE	APPROVED
A	ENGINEERING RELEASE	KMM	2/27/97	R. RICE
B	SEPARATE INTO PARTS DRAWINGS	CZS	6/3/97	R. RICE

ALL DIMENSIONS ARE REFERENCE ONLY



SPECIFICATIONS:

IMPEDANCE: 50 OHMS
 FREQUENCY RANGE: DC-7.5 GHz
 VSWR MAX: <math><1.10:1</math> @ DC-7.5 GHz
 INSERTION LOSS: -0.01 dB \sqrt FREQUENCY GHZ
 3rd ORDER IM -dBc: >-150 dBc

DIMENSIONS ARE IN INCHES AND [MILLIMETERS]

UNLESS OTHERWISE NOTED TOLERANCES ARE:

DECIMALS DIAMETER

RF connectors
 DIVISION OF RF INDUSTRIES, LTD.

7610 MIRAMAR RD
 SAN DIEGO, CA 92126
 (619)549-6340
 (619)549-6345 FAX

RFD-1650-2

7-16 DIN MALE TO 7-16 DIN MALE

ITEM	DESCRIPTION	PART NUMBER	QTY	MATERIAL	FINISH
7	SHELL	012-16M0001BE	2	BRASS	SILVER
6	O RING	GSO-211	2	S.I. RUBBER	RED
5	GROUND RING	014-16M0001BE	2	BRASS	SILVER
4	DIELECTRIC	010-16X0001TX	2	TEFLON	NONE
3	CONTACT SHAFT	013-16XC004BE	1	BRASS	SILVER
2	PIN	009-16M0001BE	2	BRASS	SILVER
1	BODY	001-16X0001BE	1	BRASS	SILVER

DRAWN C. ZUNIGA	6/3/97
CHECKED <i>[Signature]</i>	6/4/97
OR DRAWN K. MAXWELL	2/27/97
APPROVALS	DATE

SIZE	CABLE GROUP	DWG NO.	REV
A	N/A	8696	B

SCALE: 2 : 1 CAD FILE 13ARC B SHEET 1 OF 1