

# GigaLane Adapter Data Sheet



## ■ Part No. : 3MS-ADP-3FS-01

(3.5mm Male to 3.5mm Female Adapter)

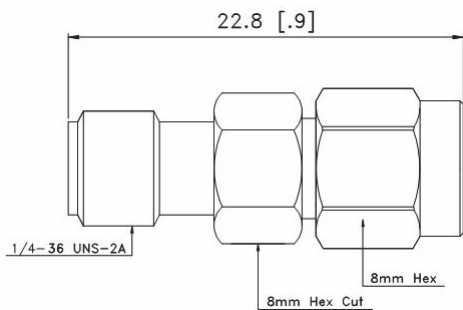


### Technical Data

ITEM	Specifications		Descriptions
VSWR	DC~4GHz	1.05 MAX	
	4 ~ 32GHz	1.20 MAX	
Insertion Loss	IL [dB] = Max. 0.06 X $\sqrt{F}$		
Materials	Body	Stainless Steel 303	Passivated
	Center Pin	BeCu	Gold Plated
	Insulator	Rigid Plastic	
Temperature	-55°C ~ 135°C		

### Outline Drawing

### Performance



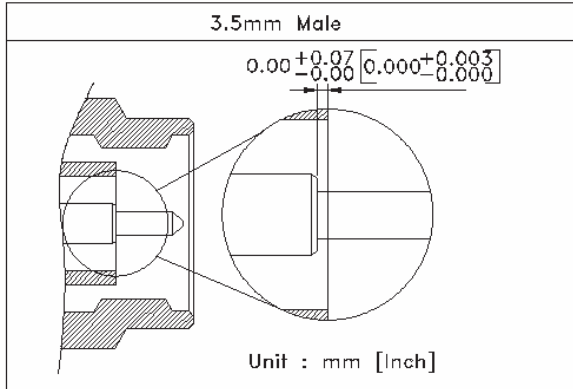
Unit : mm [inch]

# GigaLane Adapter Data Sheet



## Pin Control

Per IEEE standard 287



Per IEEE Standard 287

