

CATALOG NUMBER

00218-400-3

MATERIAL AND FINISH

HOUSINGS AND
COUPLING NUT:

CRES 303; PASSIVATED

CENTER CONTACT:

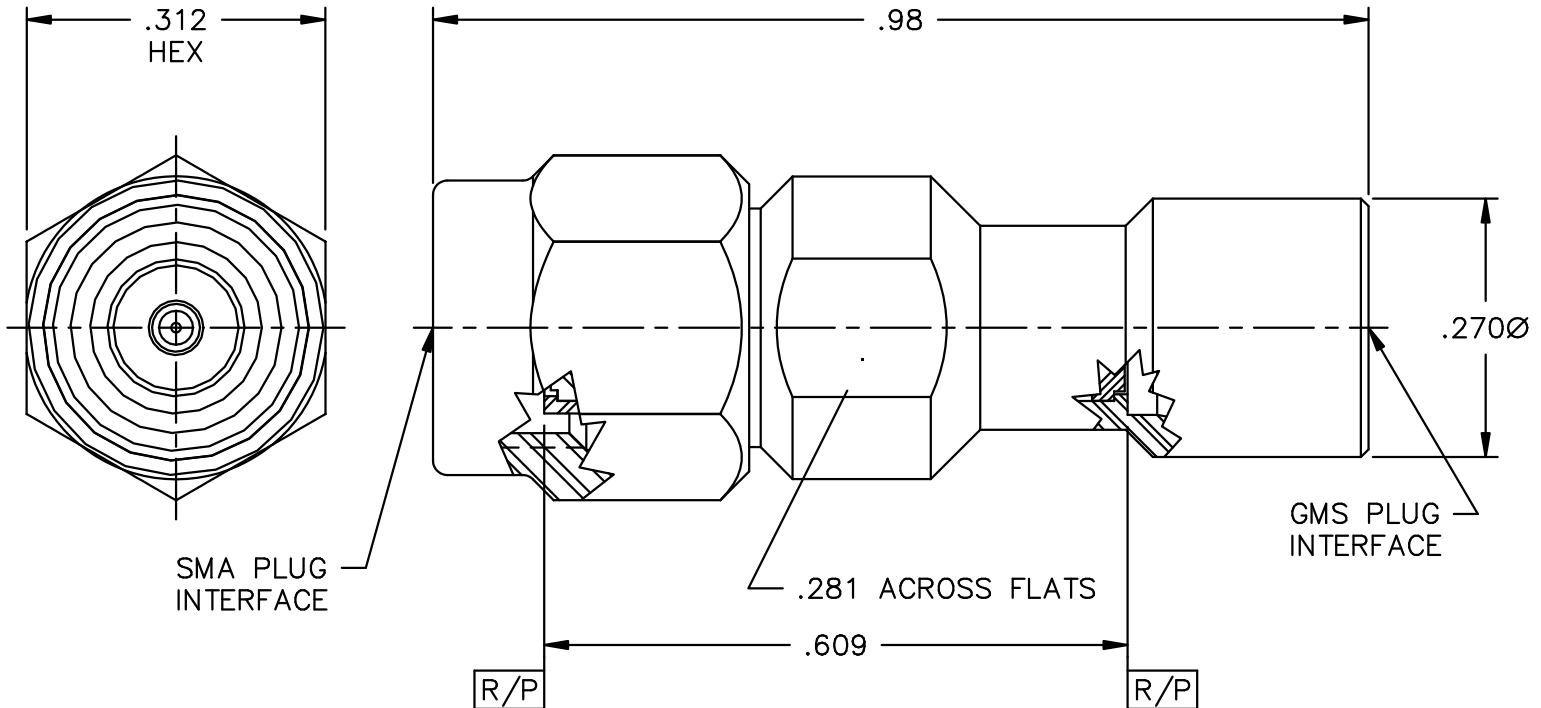
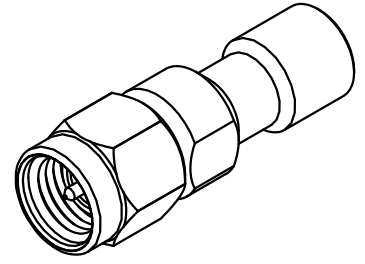
BeCu; GOLD PLATE 50-100 MICROINCHES
OVER NICKEL PLATE 50 MICROINCHES MIN.

DIELECTRICS:

VIRGIN PTFE (TEFLON)

RETAINING RING:

BeCu



This drawing and any data contained herein is the property of Corning Gilbert Inc., and constitutes and contains proprietary and confidential information. Neither receipt nor possession of this drawing confers or transfers any right to duplicate, use or disclose any information contained herein except as expressly authorized by Corning Gilbert Inc.

SMA PLUG
TO GMS
PLUG ADAPTER

IDENT CODE:
82316

REVISION: B

Corning Gilbert Inc.

SOURCE FILE: MECR# 2349

DWG. NO.:

OL-00218-400-3

ASSY. PROC.:

-